



Baseball, Basketball, Soccer and more. Name your sport – Cre8Play’s got game! Constructed of durable Glass Fiber Reinforced Concrete (GFRC). The unique design allows for 360 degrees of climbing and integrated handholds make this climber a BALL! (sorry, we had to do it...)



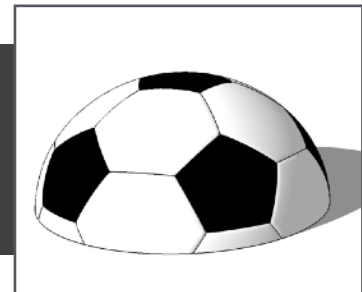
Baseball Climber
1000022

L: 4'-0" x W: 4'-0" x H: 2'-0"
650 LBS



Basketball Climber
1000023

L: 4'-0" x W: 4'-0" x H: 2'-0"
650 LBS

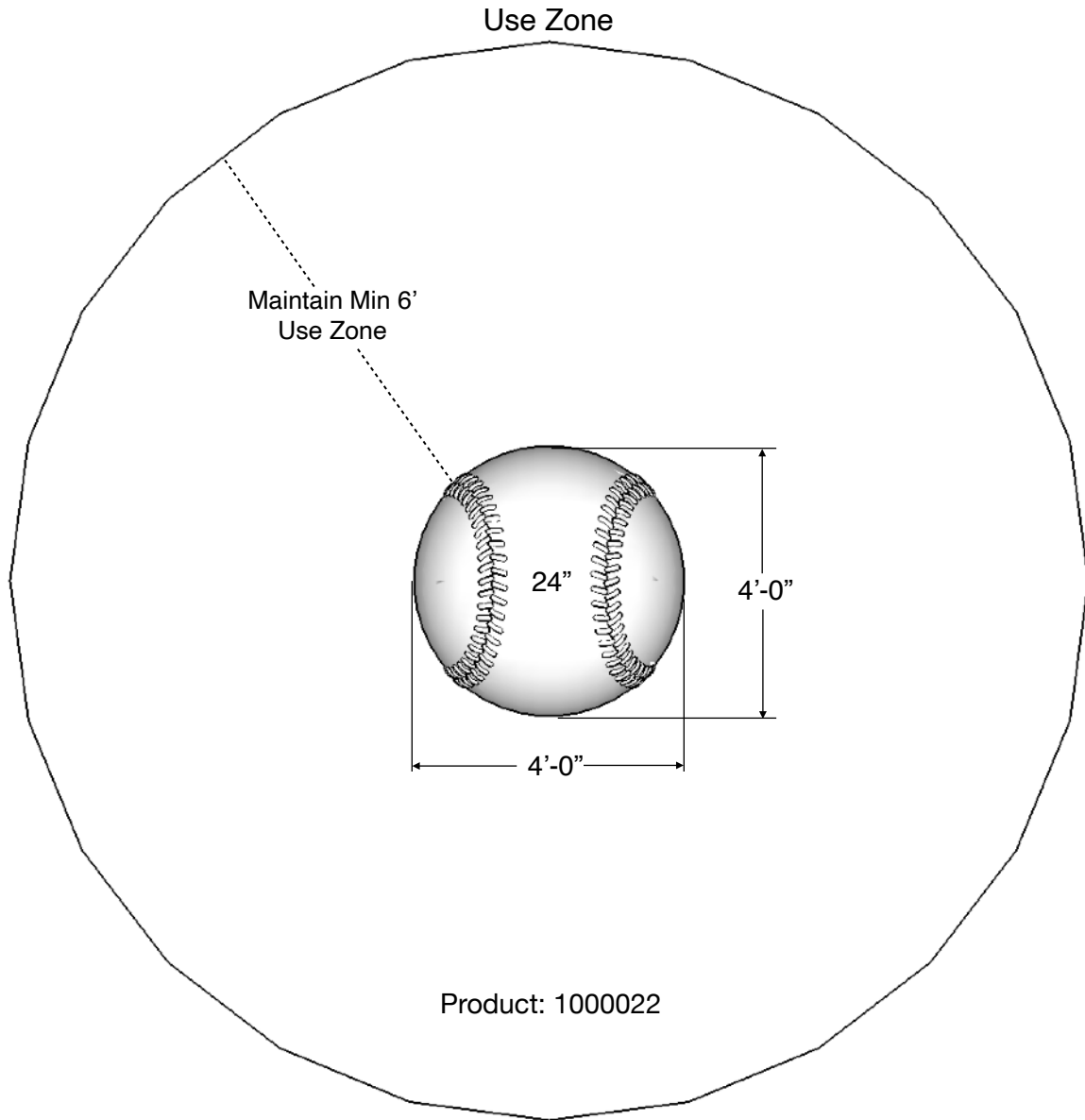


Soccer Ball Climber
1000024

L: 4'-0" x W: 4'-0" x H: 2'-0"
650 LBS

~ Dimensions and weights are approximate ~
~ Heights shown from top of surfacing ~
User Group Age: 2-12

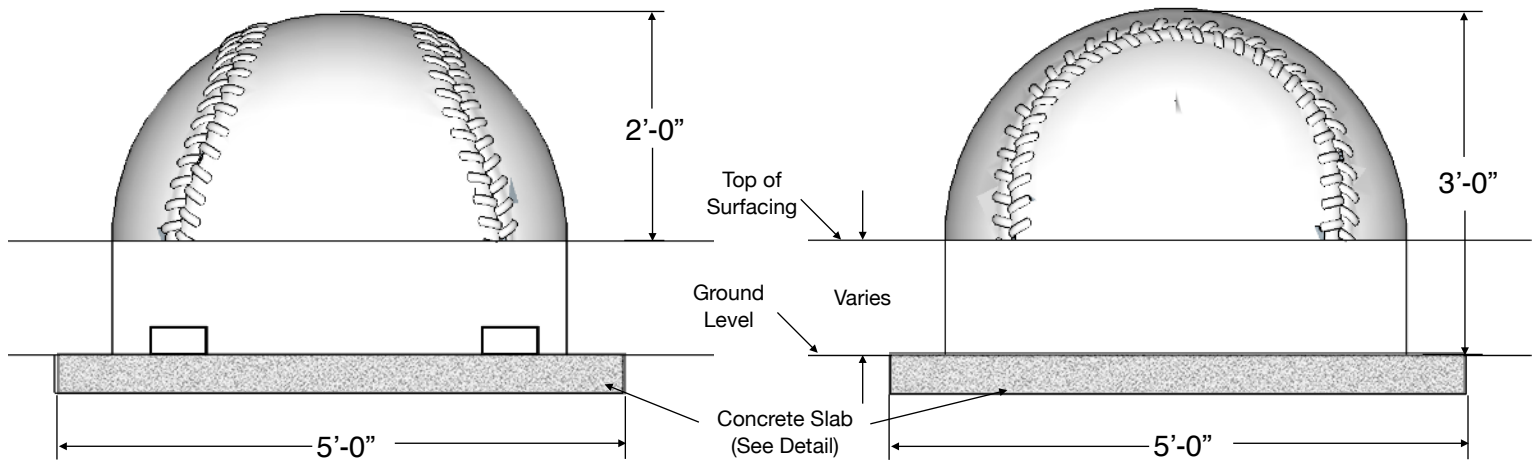
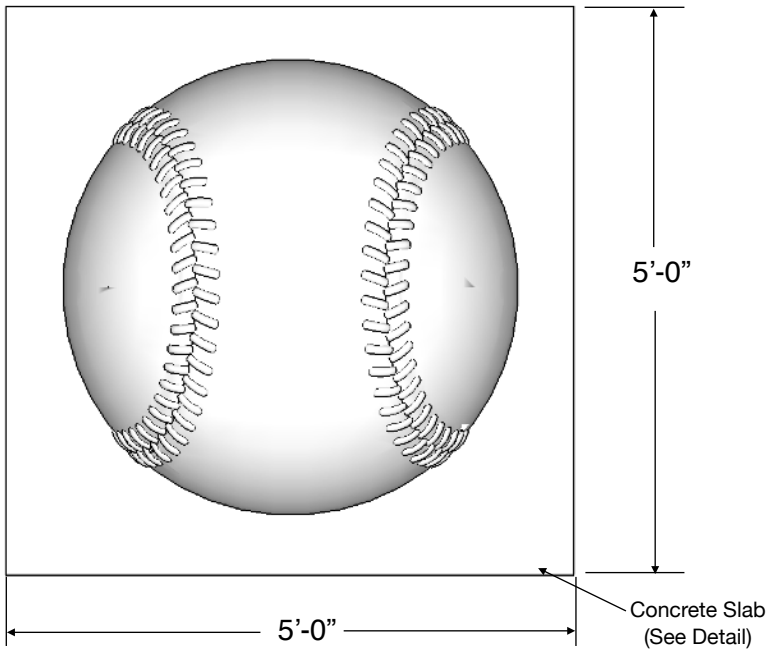
Installation Instructions



Included Items:

Item	Description	Quantity
Ball Climber	Play Equipment	1
Anchor Bolt 1/2" x 3"	Mounting Hardware	4

Installation Instructions



~ All dimensions are approximate ~

User Group Age: 2-12

Last Revised 11/30/2021

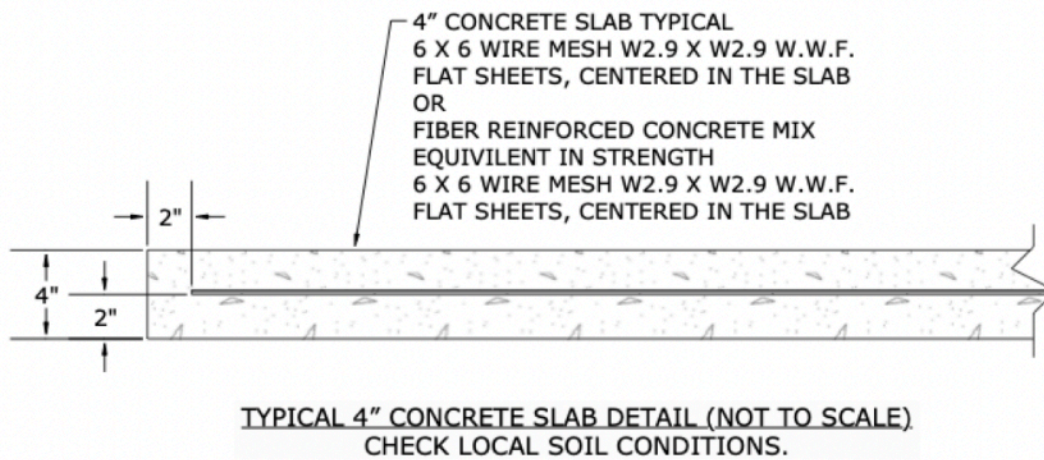
Installation Instructions

NOTE: Read installation instructions thoroughly before starting installation process.

Step 1: Lay out the area and prepare the site for install. Concrete must be installed over a solid, level base. Check local soil condition and codes. See installation instructions for minimum use zone requirements to ensure proper spacing and adequate surfacing area.

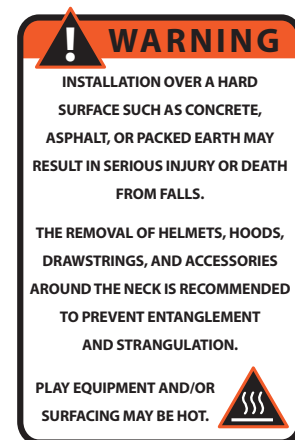
Step 2: Pour a concrete base for the climber. Refer to the typical slab section on this page. The concrete should be flush with the ground level. Allow time for the concrete to completely cure before continuing.

Step 3: Using an appropriate lull-type forklift or boom, place climber into final installation location. See the hardware recommendation page for information on anchoring equipment down to your slab. Refer to the surfacing manufacturer for installation of an approved impact attenuating play surface around the climber with a minimum of 6 feet in every direction



NOTES PRIOR TO CONSTRUCTION:

- Use appropriate equipment to lift and move the play equipment.
- Check local codes and requirements prior to digging or installing any equipment.



~ All dimensions are approximate ~

User Group Age: 2-12

Last Revised 11/30/2021

Installation Instructions

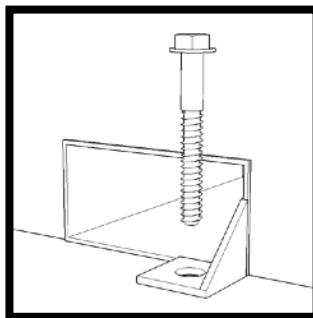
Step 4: Locate your anchor bolts, supplied by Cre8Play. Using the proper standard drill bit size noted in the installation table, drill the concrete to the appropriate hole depth (C).

Step 5: Insert the anchor bolt into the hole and tighten until the bolt is fully seated. Do NOT over tighten the anchor bolts.

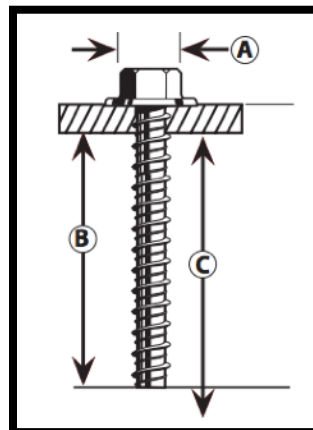
Installation Table

Anchor Bolt Size	ANSI Standard Drill Bit Diameter	Anchor Head (Socket Size) Diameter (A)	Minimum Embedment (B)	Hole Depth (C)
1/2" x 3"	7/16"	3/4"	2 1/2"	3 1/2"

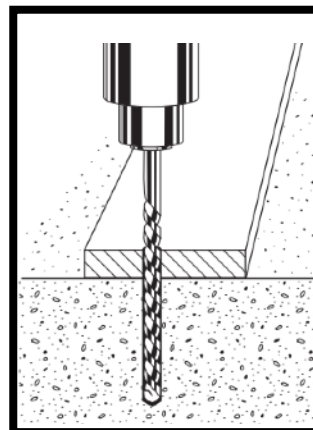
Anchor Bolt (Large Diameter Tapcon) Installation:



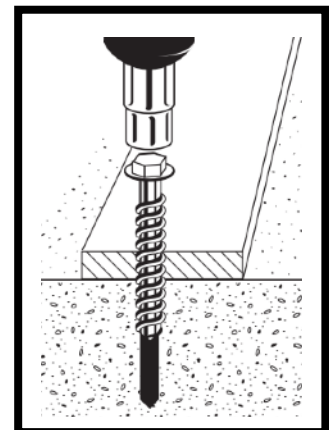
Mounting Detail
(Not to Scale)



Step 1: Drill



Step 2: Anchor



NOTE: Always wear eye protection appropriate to the task at hand.