



Uniquely themed wood logs and cut stone designed as a balance and stepping feature. Constructed from Glass Fiber Reinforced Concrete (GFRC), these steppers have the appearance of real tree stumps and boulders with a kid friendly flattened top. Available in four sizes at finished heights of 8", 16", 24", and 30".



8" Log or Stone Stepper
1000050 - Log
1000054 - Stone
L: 1'-0" x W: 1'-0" x H: 0'-8"
115 LBS each

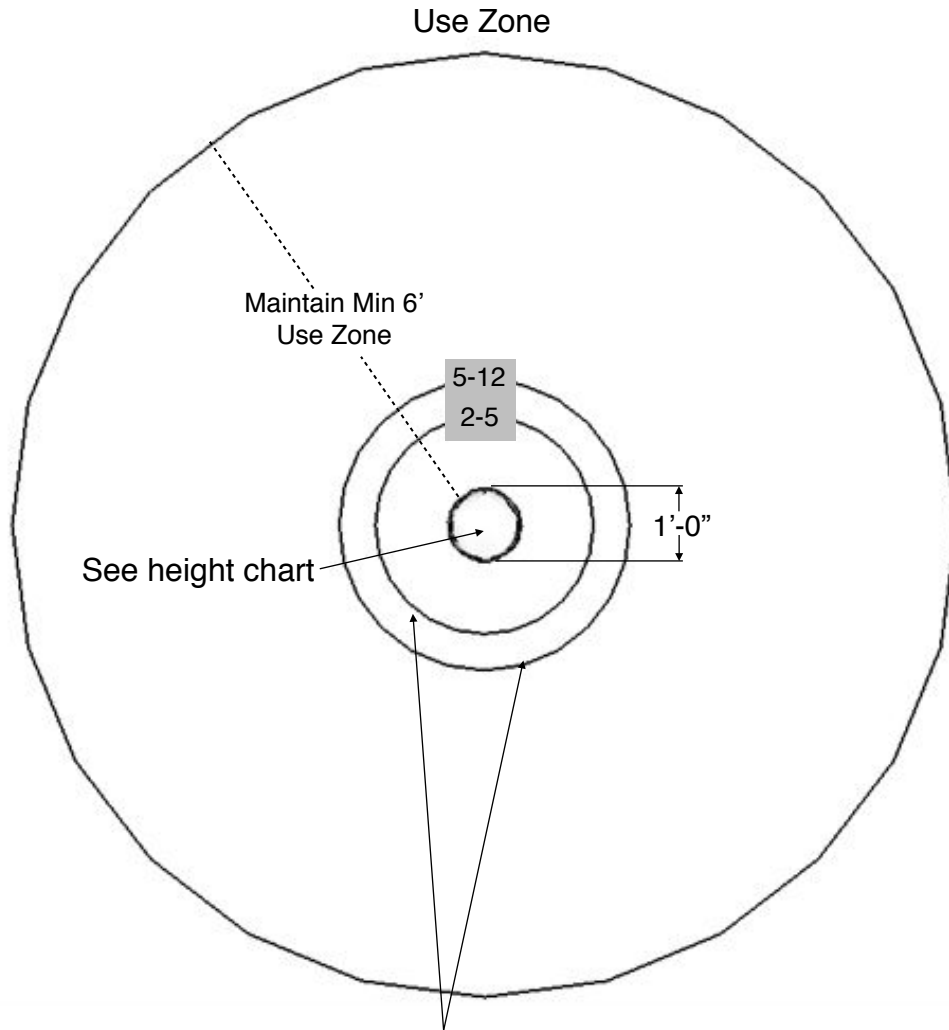
16" Log or Stone Stepper
1000051 - Log
1000055 - Stone
L: 1'-0" x W: 1'-0" x H: 1'-4"
140 LBS each

24" Log or Stone Stepper
1000052 - Log
1000056 - Stone
L: 1'-0" x W: 1'-0" x H: 2'-0"
165 LBS each

30" Log or Stone Stepper
1000053 - Log
1000057 - Stone
L: 1'-0" x W: 1'-0" x H: 2'-6"
190 LBS each

~ Dimensions and weights are approximate ~
~ Heights shown from top of surfacing ~
User Group Age: 5-12

Installation Instructions



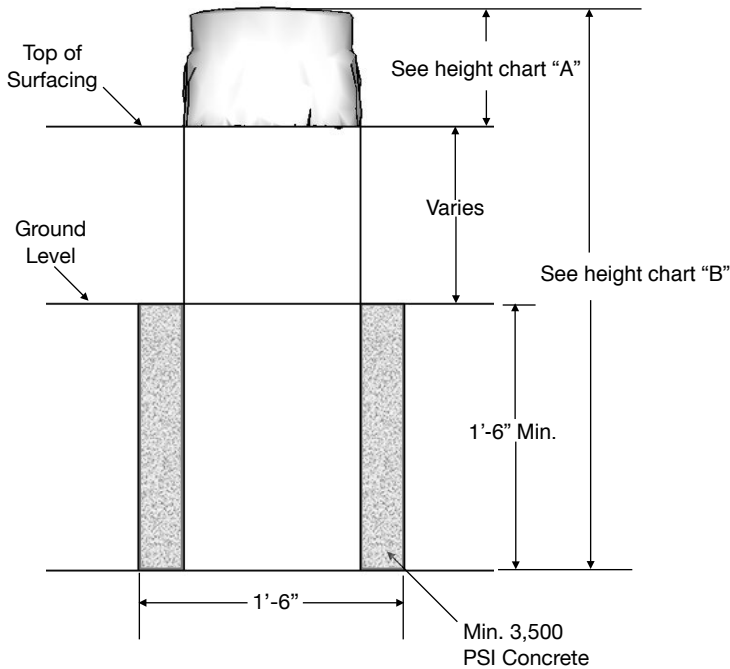
Stepping forms shall be no greater than 12 in. (300mm) apart when intended for use by 2 through 5-year-olds and no greater than 18 in. (460 mm) apart when intended for use by 5 through 12-year-olds. This dimension shall be measured edge to edge between the adjacent stepping surfaces. (This measurement will be horizontal when adjacent stepping forms are at the same height and it will be diagonal when adjacent stepping forms are at different heights.)

Included Items:

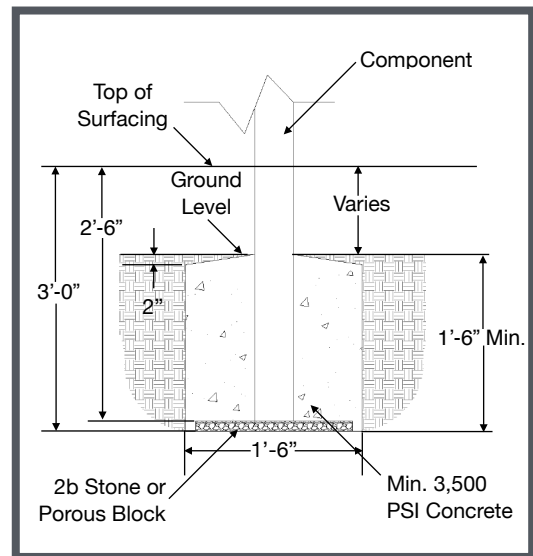
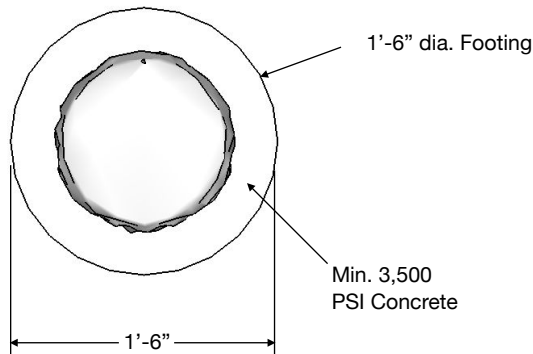
Item	Description	Quantity
Stepper	Play Equipment	1

Finished Height	Product
0'-8"	1000050, 1000054
1'-4"	1000051, 1000055
2'-0"	1000052, 1000056
2'-6"	1000053, 1000057

Installation Instructions



Height "A"	Height "B"	Product
0'-8"	3'-2"	1000050, 1000054
1'-4"	3'-10"	1000051, 1000055
2'-0"	4'-6"	1000052, 1000056
2'-6"	5'-0"	1000053, 1000057



Typical Component Footing Detail

Check local soil conditions.
(Not to Scale)

~ All dimensions are approximate ~

User Group Age: 5-12

Last Revised 8/8/19

Installation Instructions

NOTE: Read installation instructions thoroughly before starting installation process.

Step 1: Lay out the area and prepare the site for install. Concrete must be installed over a solid, level base. Check local soil condition and codes. See product installation instructions for minimum use zone requirements to ensure proper spacing and adequate surfacing area.

Step 2: Pour about 6 in. of concrete into the hole. Place the stepper into the hole and pour concrete around the stepper filling up the hole. The concrete should be flush with the ground level. Ensure any space between the bottom of the steppers and top of grade will be completely covered by your particular type of surfacing. Temporarily brace the stepper.

Step 3: Allow time for the concrete to completely cure before removing the temporary bracing. Refer to the surfacing manufacturer for installation of an approved impact attenuating play surface around the stepper a minimum of 6 feet in every direction.

NOTES PRIOR TO CONSTRUCTION:

- Use appropriate equipment to lift and move the play equipment.
- Check local codes and requirements prior to digging or installing any equipment.

