



Manufactured from Glass Fiber Reinforced Concrete (GFRC) for extreme durability, Half Log Benches are a very popular option. Themed to fit into your natural surroundings, this bench is a great choice for playgrounds, malls, and streetscapes.



Half Log Bench
1000080 - 4'
 L: 4'-0" x W: 1'-7" x H: 1'-6"
 530 LBS



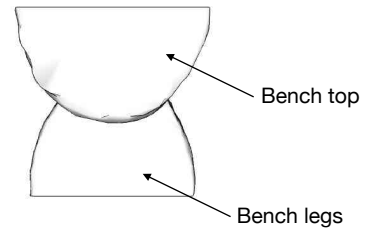
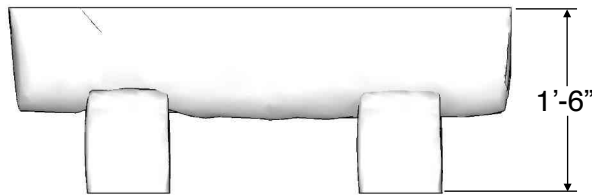
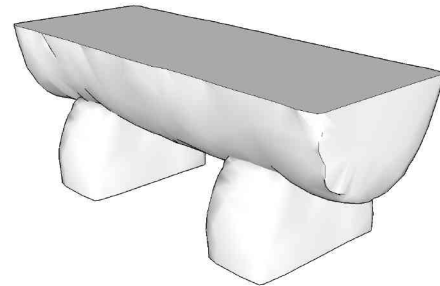
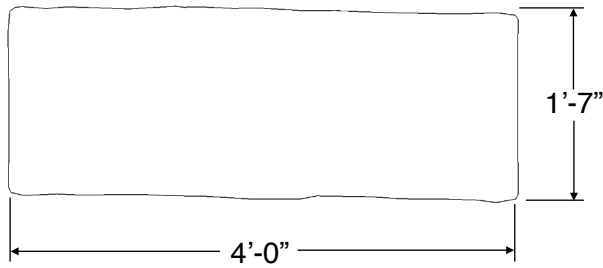
Half Log Bench
1000081 - 6'
 L: 6'-0" x W: 1'-7" x H: 1'-6"
 680 LBS



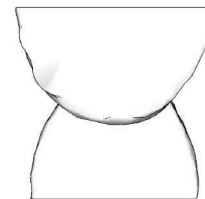
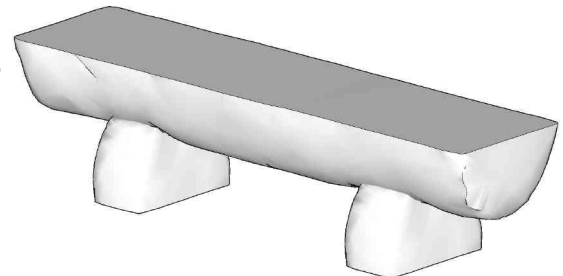
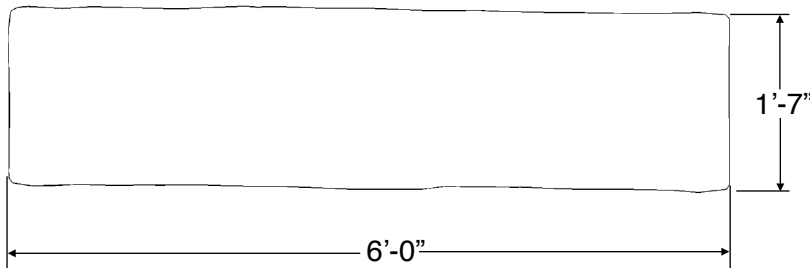
- Realistic Texture
- Blends into natural environment

~ Dimensions and weights are approximate ~
 ~ Heights shown from top of surfacing ~

Installation Instructions



Product: 1000080



Product: 1000081

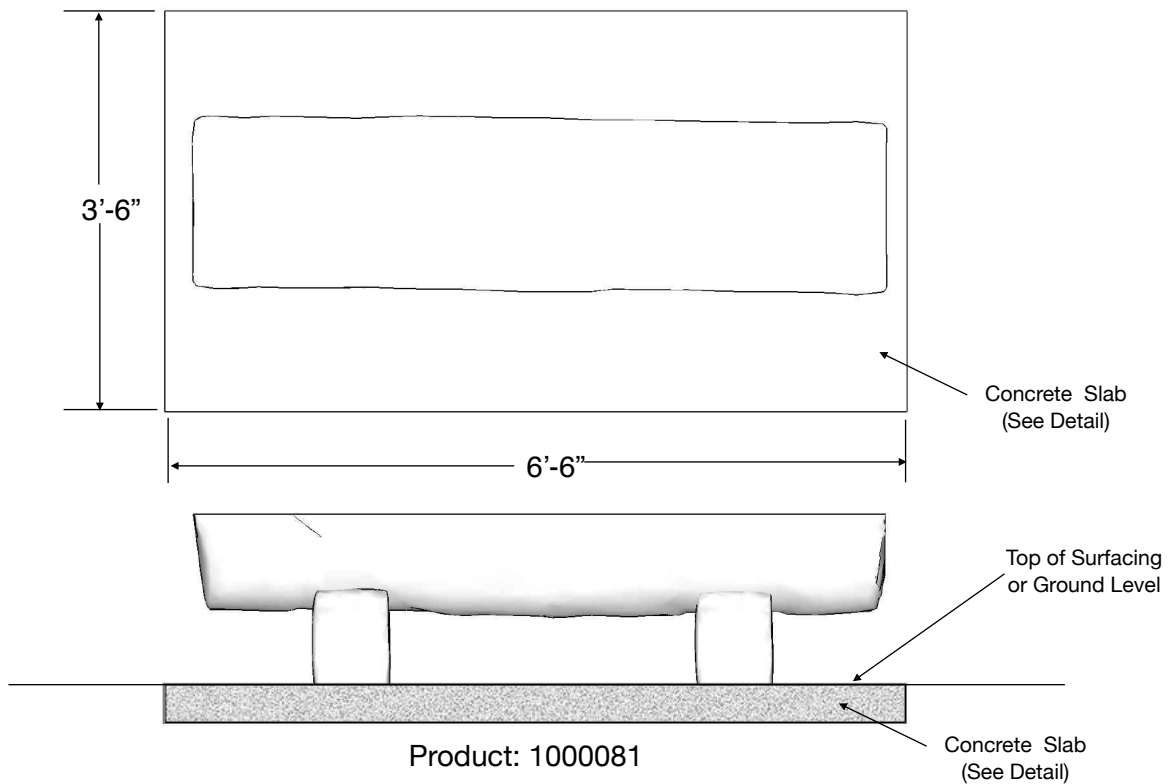
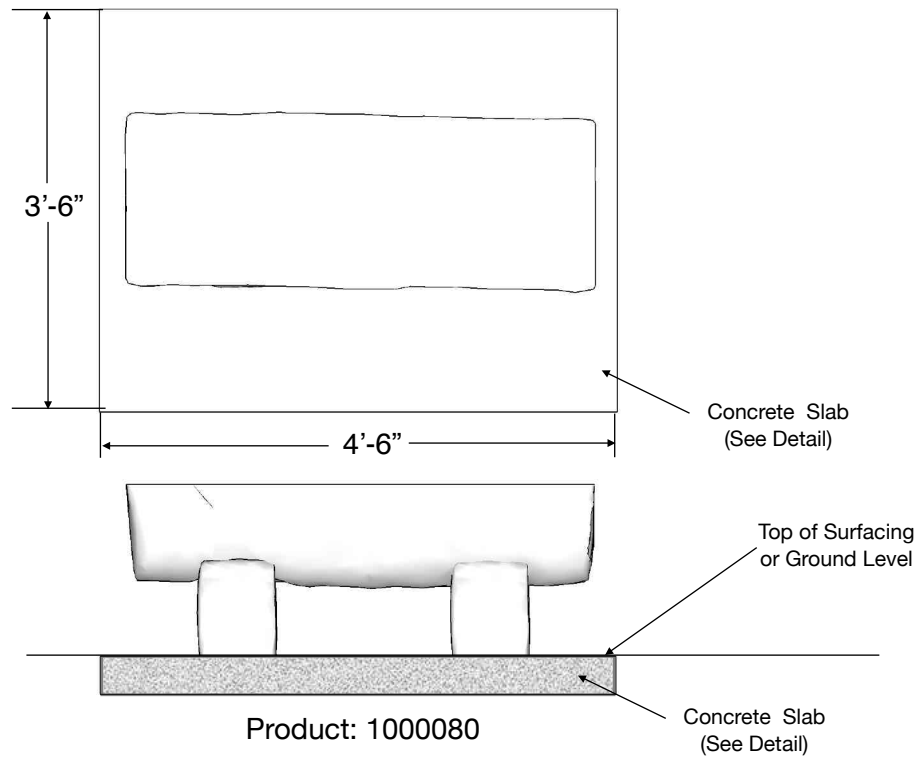
Included Items:

Item	Description	Quantity
Half Log Bench top	Site Amenity	1
Half Log Bench legs	Site Amenity	2
Anchor Bolt 1/2" x 3"	Mounting Hardware	4

~ All dimensions are approximate ~

5121 Winnetka Ave N • Suite 108
 New Hope, MN 55428
 612.670.8195
 info@cre8play.com
 cre8play.com

Installation Instructions



~ All dimensions are approximate ~

Installation Instructions

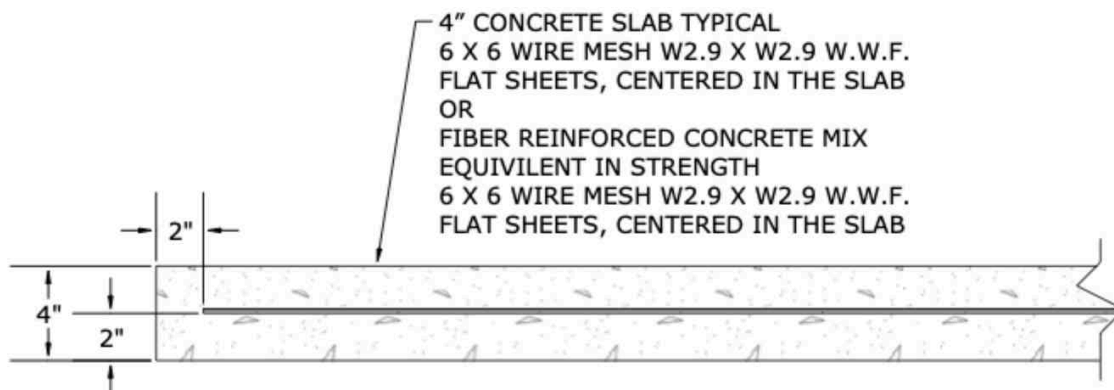
NOTE: Read installation instructions thoroughly before starting installation process.

Step 1: Lay out the area and prepare the site for install. Concrete must be installed over a solid, level base. Check local soil condition and codes.

Step 2: Pour a concrete base for the Half Log Bench. Refer to the typical slab detail. The concrete should be flush with the ground level. Allow time for the concrete to completely cure before continuing.

Step 3: Place legs on the ground in the appropriate final location and dry fit the bench top on the legs. Adjust as needed. See the hardware recommendation page for information on anchoring equipment down to your slab, then bolt down the legs.

Step 4: Remove bench top. Apply Loctite PL Max Premium adhesive bead in a zig zag pattern on top of legs, and replace bench top.



TYPICAL 4" CONCRETE SLAB DETAIL (NOT TO SCALE)
CHECK LOCAL SOIL CONDITIONS.

NOTES PRIOR TO CONSTRUCTION:

- Use appropriate equipment to lift and move the site amenity.
- Check local codes and requirements prior to digging or installing any equipment.

~ All dimensions are approximate ~

Installation Instructions

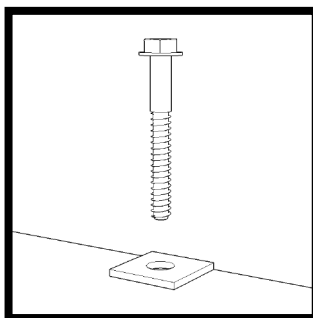
Step 5: Locate your anchor bolts, supplied by Cre8Play. Using the proper standard drill bit size noted in the installation table, drill the concrete to the appropriate hole depth (C).

Step 6: Insert the anchor bolt into the hole and tighten until the bolt is fully seated. Do NOT over tighten the anchor bolts.

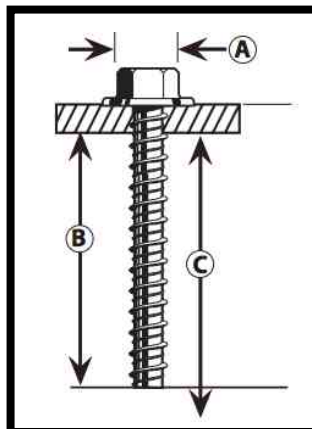
Installation Table

Anchor Bolt Size	ANSI Standard Drill Bit Diameter	Anchor Head (Socket Size) Diameter Ⓐ	Minimum Embedment Ⓑ	Hole Depth Ⓒ
1/2" x 3"	7/16"	3/4"	2 1/2"	3 1/2"

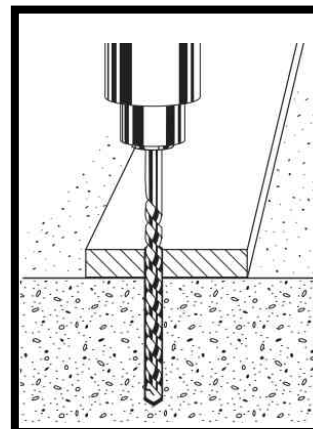
Anchor Bolt (Large Diameter Tapcon)
Installation:



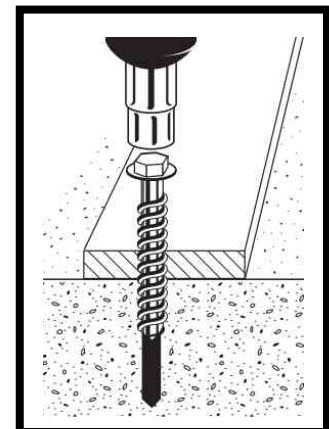
Mounting Detail
(Not to Scale)



Step 1: Drill



Step 2: Anchor



NOTE: Always wear eye protection appropriate to the task at hand.

~ All dimensions are approximate ~