



When is it fun to step on critters? At the park of course. Kids can step and play on these critters all day long. Made of durable long-lasting Glass Fiber Reinforced Concrete (GFRC), our steppers will stand the test of time!



Lady Bug Stepper
1000092

L: 2'-2" x W: 1'-7" x H: 1'-1"
125 LBS



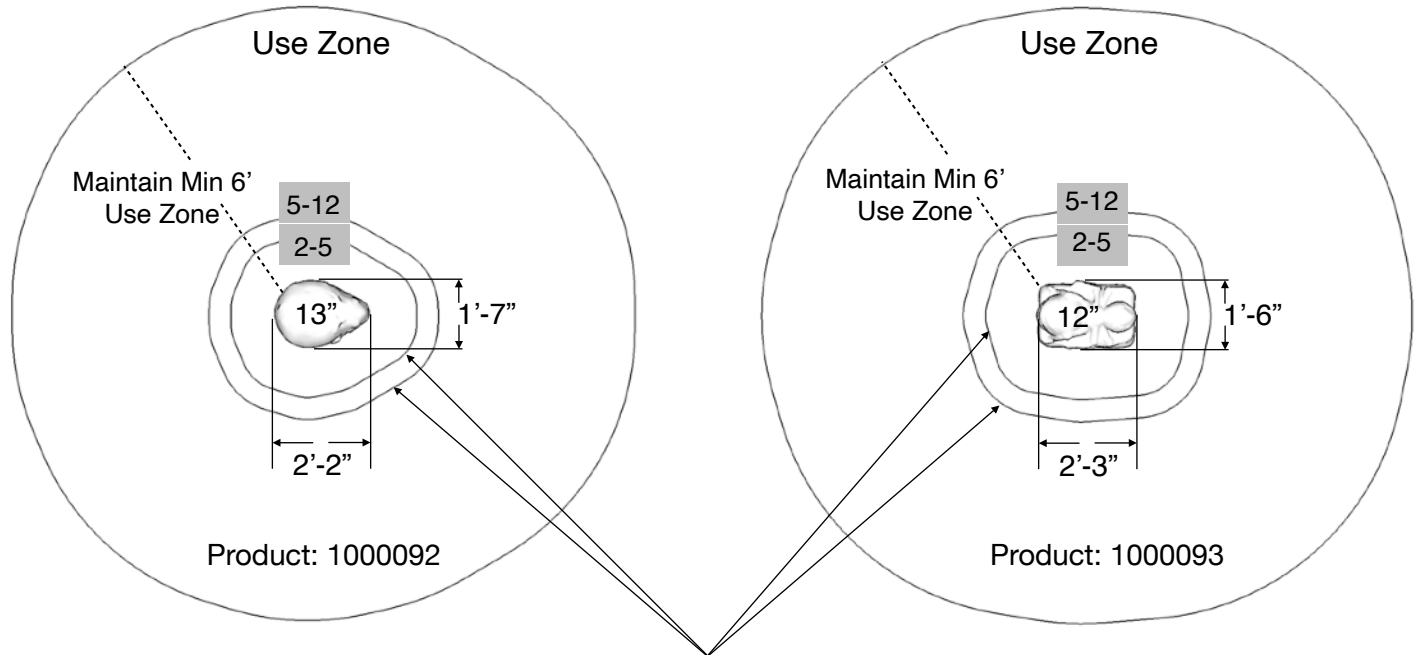
Ant Stepper
1000093

L: 2'-3" x W: 1'-6" x H: 1'-0"
125 LBS

~ Dimensions and weights are approximate ~
~ Heights shown from top of surfacing ~
User Group Age: 2-12

5121 Winnetka Ave N • Suite 108
New Hope, MN 55428
612.670.8195
info@cre8play.com
cre8play.com

Installation Instructions

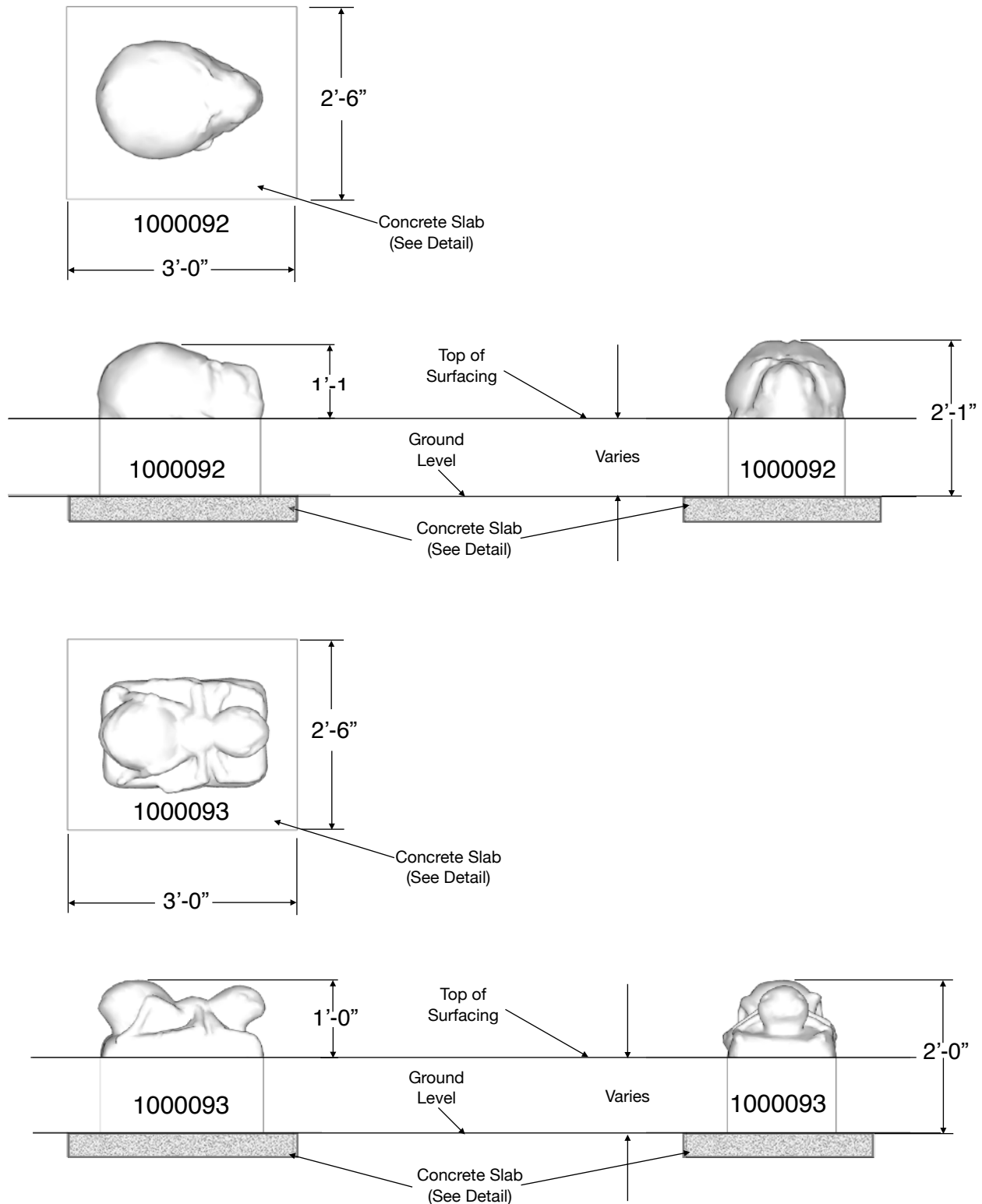


Stepping forms shall be no greater than 12 in. (300mm) apart when intended for use by 2 through 5-year-olds and no greater than 18 in. (460 mm) apart when intended for use by 5 through 12-year-olds. This dimension shall be measured edge to edge between the adjacent stepping surfaces. (This measurement will be horizontal when adjacent stepping forms are at the same height and it will be diagonal when adjacent stepping forms are at different heights.)

Included Items:

Item	Description	Quantity
Stepper	Play Equipment	1
Anchor Bolt 1/2" x 3"	Mounting Hardware	2

Installation Instructions



~ All dimensions are approximate ~

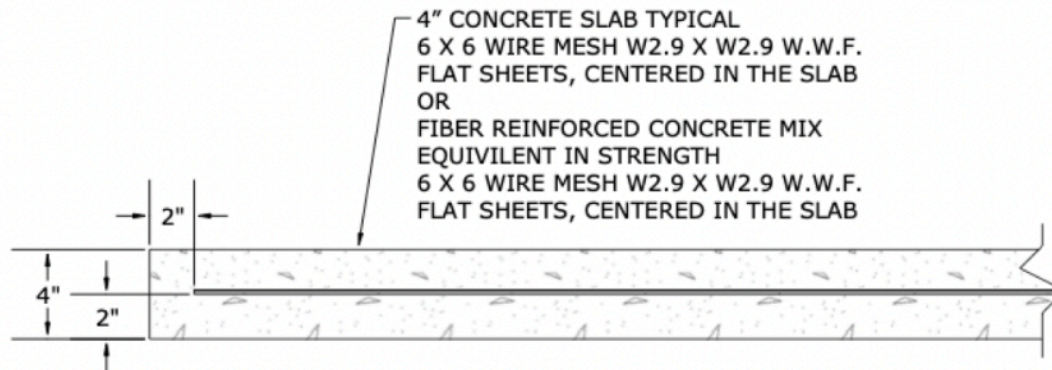
Installation Instructions

NOTE: Read installation instructions thoroughly before starting installation process.

Step 1: Lay out the area and prepare the site for install. Concrete must be installed over a solid, level base. Check local soil condition and codes. See product installation instructions for minimum use zone requirements to ensure proper spacing and adequate surfacing area.

Step 2: Pour a concrete base for the stepper. Refer to the typical slab section on this page. The concrete should be flush with the ground level. Allow time for the concrete to completely cure before continuing.

Step 3: Using the appropriate equipment, place the stepper into final installation location. See the hardware recommendation page for information on anchoring equipment down to your slab. Refer to the surfacing manufacturer for installation of an approved impact attenuating play surface around the stepper with a minimum of 6 feet in every direction.



TYPICAL 4" CONCRETE SLAB DETAIL (NOT TO SCALE)
CHECK LOCAL SOIL CONDITIONS.

NOTES PRIOR TO CONSTRUCTION:

- Use appropriate equipment to lift and move the play equipment.
- Check local codes and requirements prior to digging or installing any equipment.

! WARNING

INSTALLATION OVER A HARD SURFACE SUCH AS CONCRETE, ASPHALT, OR PACKED EARTH MAY RESULT IN SERIOUS INJURY OR DEATH FROM FALLS.

THE REMOVAL OF HELMETS, HOODS, DRAWSTRINGS, AND ACCESSORIES AROUND THE NECK IS RECOMMENDED TO PREVENT ENTANGLEMENT AND STRANGULATION.

PLAY EQUIPMENT AND/OR SURFACING MAY BE HOT.

~ All dimensions are approximate ~

User Group Age: 2-12

Last Revised 12/1/2021

5121 Winnetka Ave N • Suite 108

New Hope, MN 55428

612.670.8195

info@cre8play.com

cre8play.com

Installation Instructions

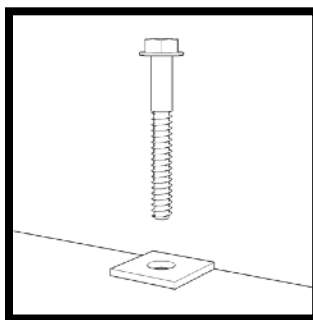
Step 4: Locate your anchor bolts, supplied by Cre8Play. Using the proper standard drill bit size noted in the installation table, drill the concrete to the appropriate hole depth (C).

Step 5: Insert the anchor bolt into the hole and tighten until the bolt is fully seated. Do NOT over tighten the anchor bolts.

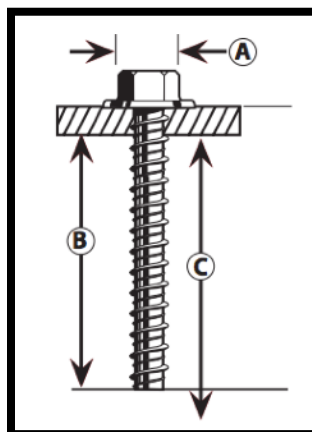
Installation Table

Anchor Bolt Size	ANSI Standard Drill Bit Diameter	Anchor Head (Socket Size) Diameter Ⓐ	Minimum Embedment Ⓑ	Hole Depth Ⓒ
1/2" x 3"	7/16"	3/4"	2 1/2"	3 1/2"

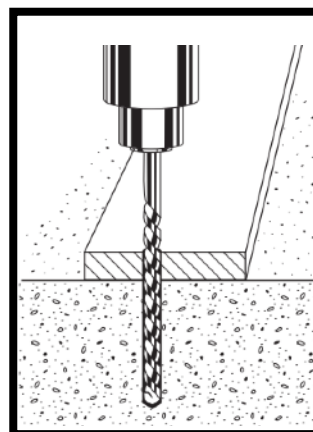
Anchor Bolt (Large Diameter Tapcon) Installation:



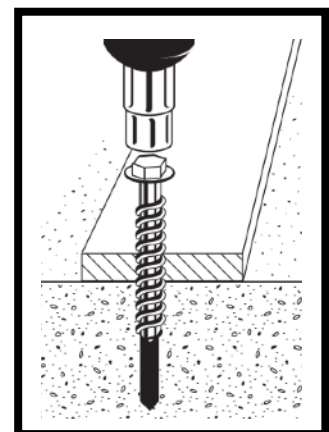
Mounting Detail
(Not to Scale)



Step 1: Drill



Step 2: Anchor



NOTE: Always wear eye protection appropriate to the task at hand.