



Swing like a monkey (or at least like a kid)! Cre8Play Tree Trunk Swings are a new look to an old classic. Kids can swing from the branches of this Tree Trunk Swing.

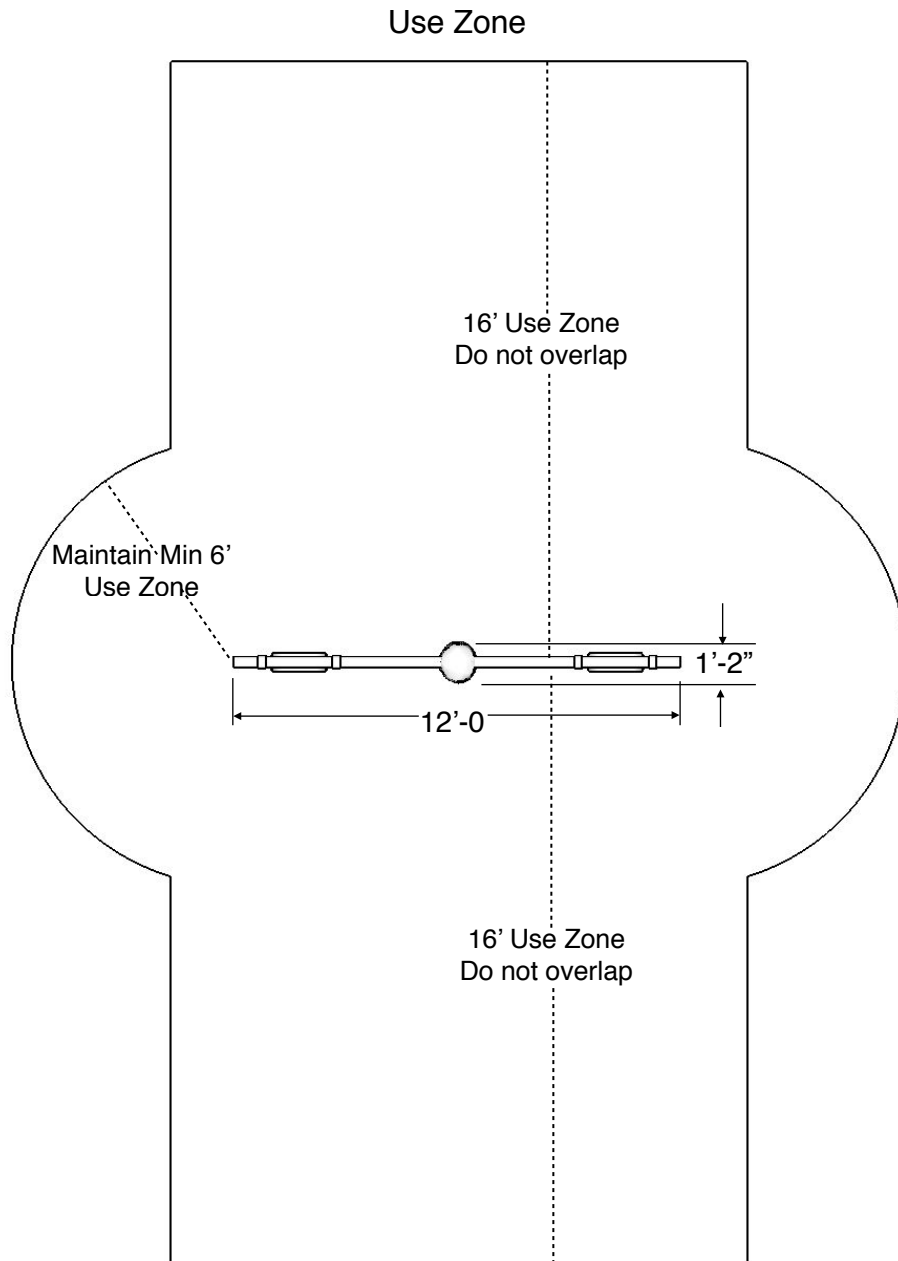


Tree Trunk Swing
1000123

L: 12'-0" x W: 1'-2" x H: 8'-5"
2,000 LBS

~ Dimensions and weights are approximate ~
~ Heights shown from top of surfacing ~
User Group Age: 2-12

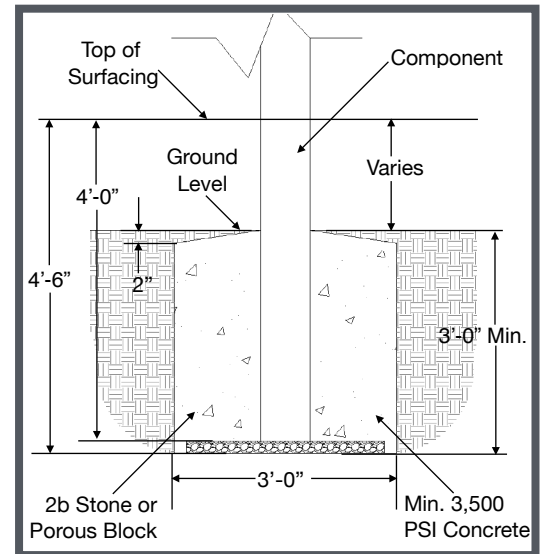
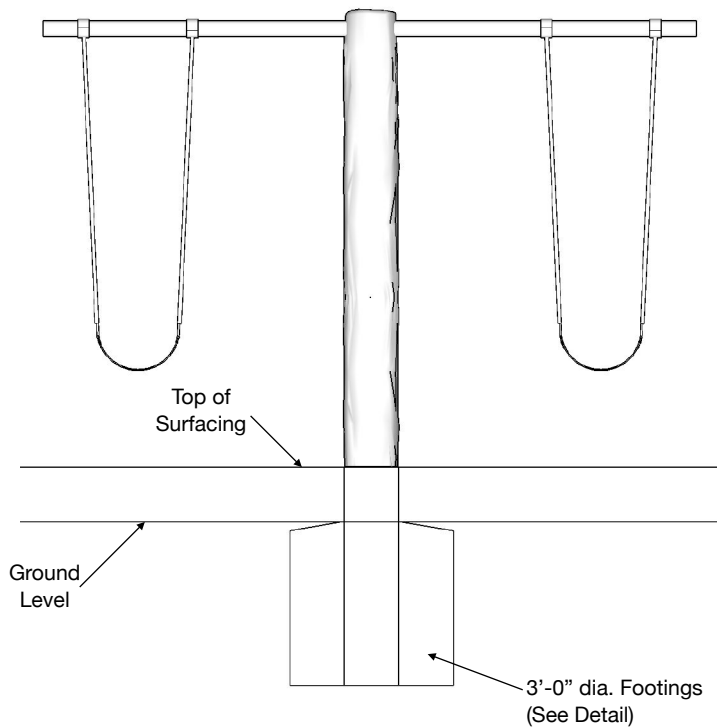
Installation Instructions



Included Items:

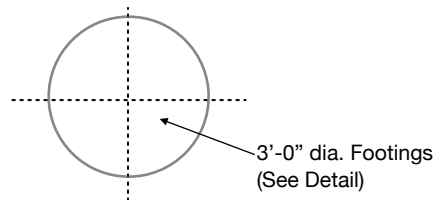
Item	Description	Quantity
Tree Trunk Swing	Play Equipment	1-Post, 1-Top Rail
Hardware Kit 8-01	Hardware	1-Set

Installation Instructions



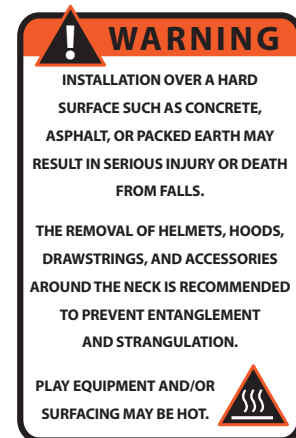
Typical Component Footing Detail

Check local soil conditions.
(Not to Scale)



NOTES PRIOR TO CONSTRUCTION:

- Use appropriate equipment to lift and move the play equipment.
- Check local codes and requirements prior to digging or installing any equipment.



~ All dimensions are approximate ~

User Group Age: 2-12

Last Revised 8/15/19

5121 Winnetka Ave N • Suite 108

New Hope, MN 55428

612.670.8195

info@cre8play.com

cre8play.com

Installation Instructions

NOTE: Read installation instructions thoroughly before starting installation process.

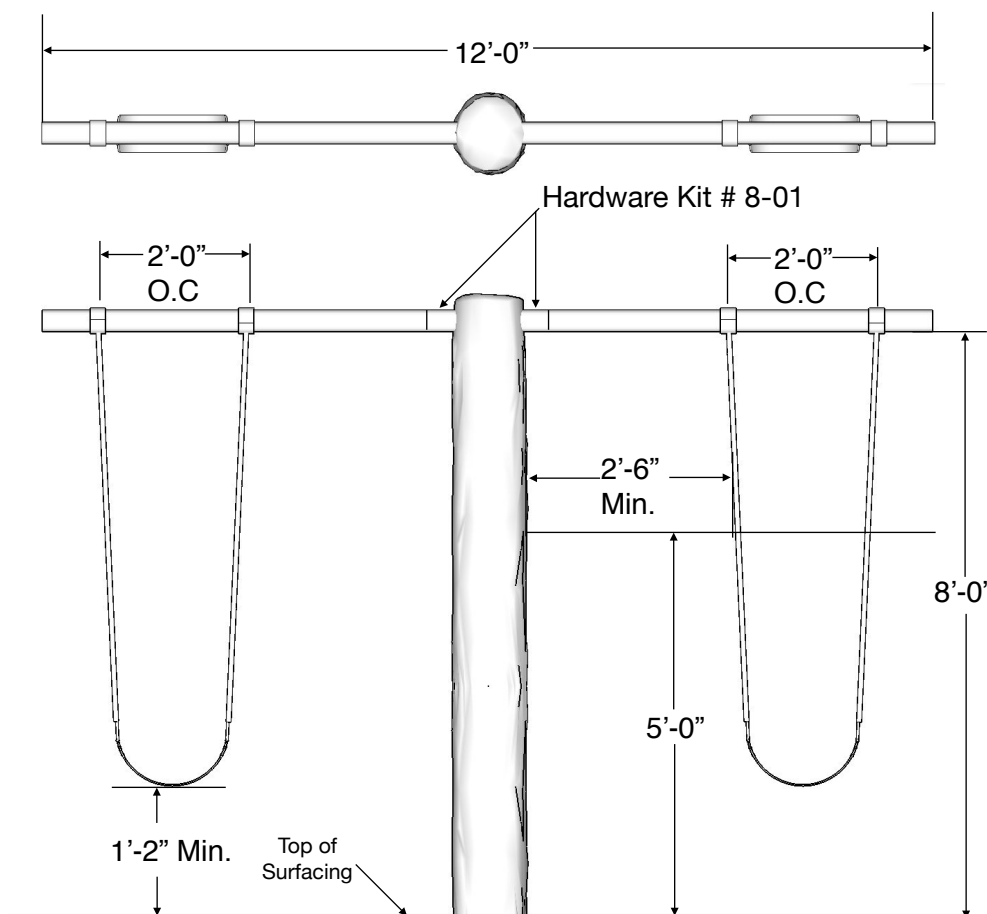
Step 1: Lay out area and prepare site for install. Concrete must be installed over a solid, level base. Check local soil condition and codes. See installation instructions sheet for minimum use zone requirements to ensure proper spacing and adequate surfacing area. Excavate appropriate footer size for your installation.

Step 2: Refer to typical 36" footing details on the typical footing detail in these instructions.

Step 3: Assemble top rail and support posts and insert the bolts, lock washers and washers from the top. Tighten bolt into T-nut and peen the T-nut to contour to the post sleeve. Lift this assembly into excavated footings, bracing when level and plumb. Pour a concrete footing for the swings. This concrete should be flush with the sub-grade surface. Allow time for the concrete to completely cure before continuing.

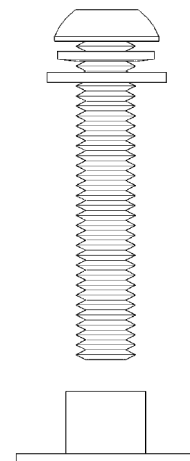
Step 4: Remove temporary bracing.

Step 5: Assemble belt and/or bucket seats, chains, and clamps, then install onto top rail per manufacturers instructions. Refer to the surfacing manufacturer for installation of an approved impact attenuating play surface around the swings the minimum shown on the Tree Trunk Swing installation instructions.



HARDWARE KIT 8-01

3/8" X 4 1/2" BUTTON HEAD, PIN-IN, SS BOLT	X2
3/8" FLAT WASHER, SS	X2
3/8" SPLIT LOCK WASHER, SS	X2
3/8" T-NUT	X2



~ All dimensions are approximate ~

User Group Age: 2-12

Last Revised 8/15/19