



Uniquely themed Tree and Stone Slices as a balance and stepping feature. Constructed from Glass Fiber Reinforced Concrete (GFRC), these have the appearance of real tree stumps and boulders with a kid friendly flattened top.



Tree Slice
1000220

L: 1'-6" x W: 1'-6" x H: 0'-4"
18 LBS each



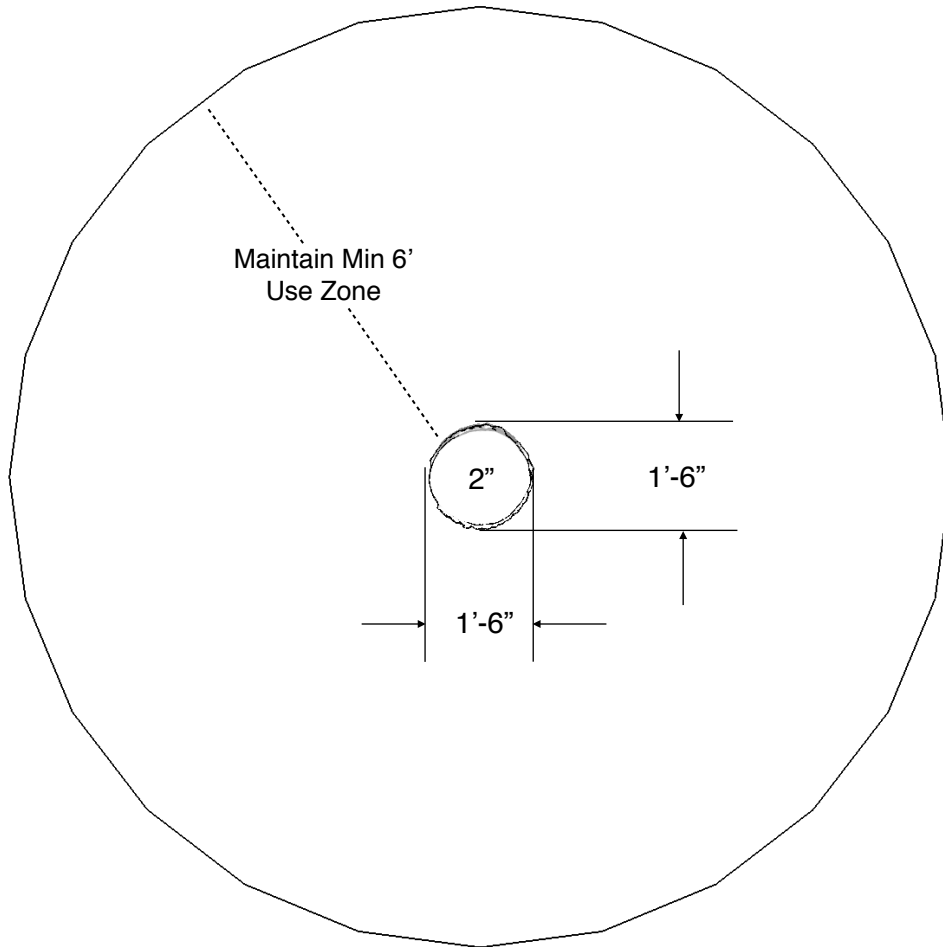
Stone Slice
1000205

L: 1'-6" x W: 1'-6" x H: 0'-4"
18 LBS each

~ Dimensions and weights are approximate ~
~ Heights shown from top of surfacing ~
User Group Age: 2-12

Installation Instructions

Use Zone

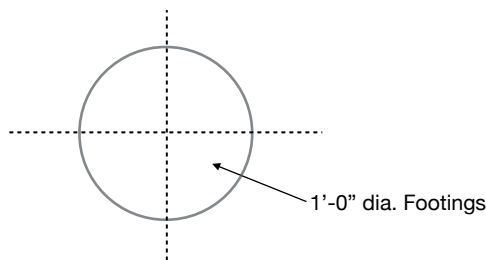
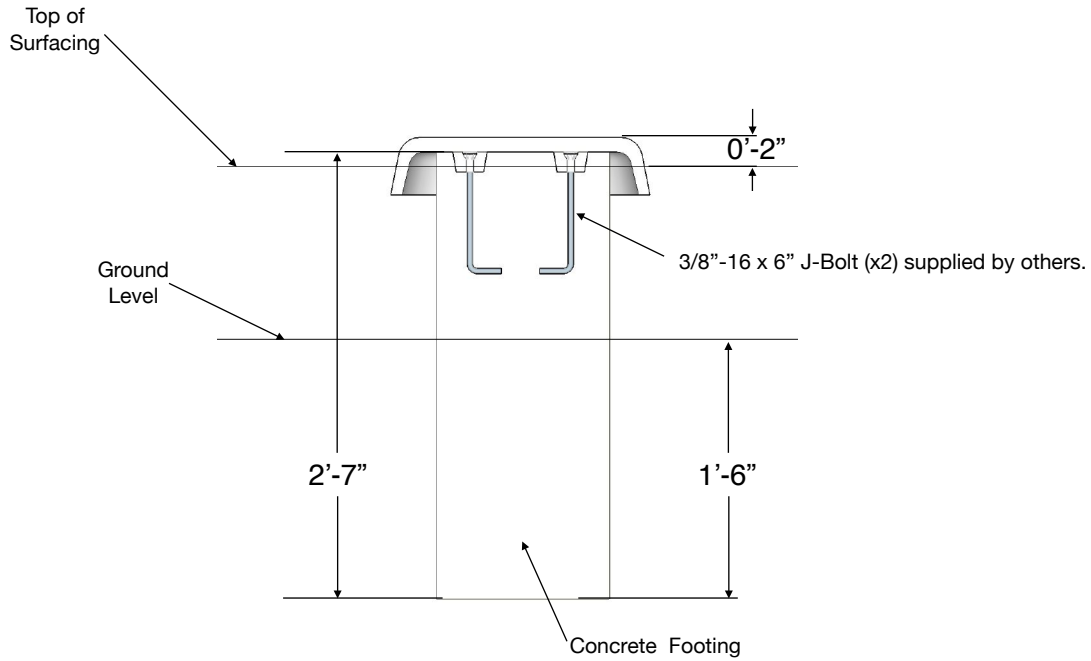


Product: 1000220

Included Items:

Item	Description	Quantity
Tree or Stone Slice	Play Equipment	1
Threaded Insert	Mounting Hardware	2

Installation Instructions



Product: 1000220 & 1000205

Installation Instructions

NOTE: Read installation instructions thoroughly before starting installation process.

Step 1: Lay out the area and prepare the site for install. Concrete must be installed over a solid, level base. Check local soil condition and codes. See product installation instructions for minimum use zone requirements to ensure proper spacing and adequate surfacing area.

Step 2: Refer to the typical in-ground footing detail on excavating a hole for the slice.

Step 3: Insert a 12" diameter Sonotube x 2'-7" in the excavated hole per footing detail.

Step 4: Install 2 each 3/8"-16 x 6" (min.) J-Bolts (Supplied by others) into the threaded inserts on the underneath side of the slice.

Step 5: Pour concrete into the Sonotube. The concrete should be flush with the top of the Sonotube. While the concrete is still wet, insert the slice with J-Bolts into the concrete per footing detail. Allow time for the concrete to completely cure. Refer to the surfacing manufacturer for installation of an approved impact attenuating play surface around the slice a minimum of 6 feet in every direction.

NOTES PRIOR TO CONSTRUCTION:

- Use appropriate equipment to lift and move the play equipment.
- Check local codes and requirements prior to digging or installing any equipment.

