



The Fallen Tree Bench was designed to be modular and can be configured in many different ways. Use one or several benches in whatever configuration you design. Place them facing each other or spaced out to get different social interactions between users. This Glass Fiber Reinforced Concrete (GFRP) constructed bench impresses with its comfort and styling.

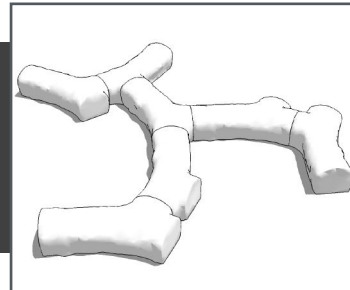


Organic Design



Fallen Tree Bench
5000004

L: 6'-0" x W: 4'-0" x H: 1'-6"
400 LBS



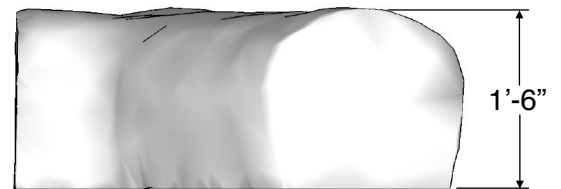
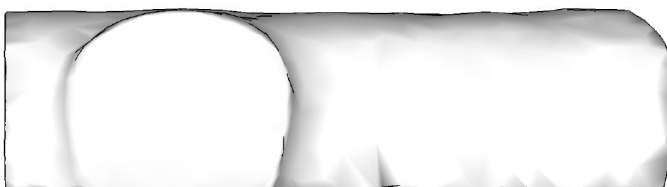
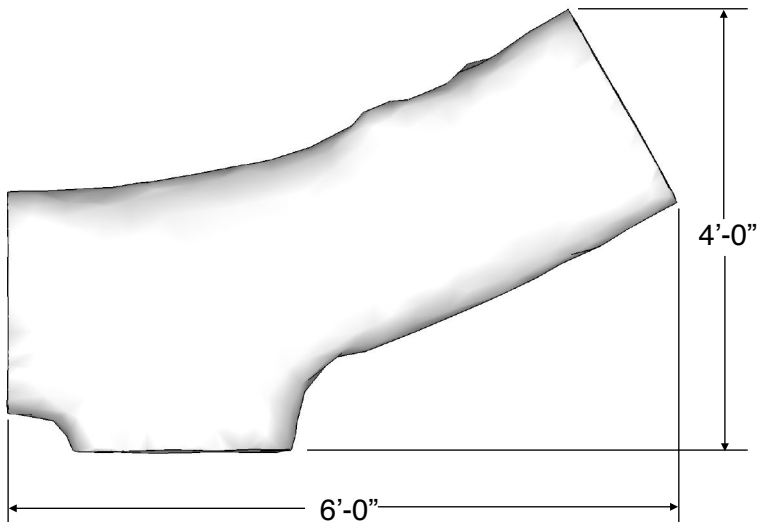
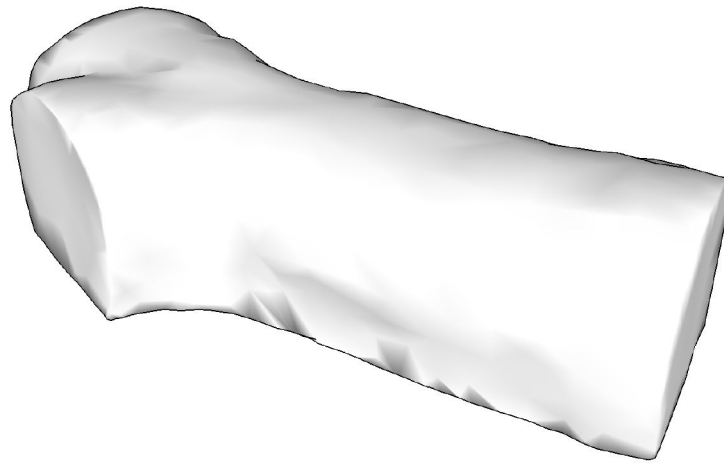
Modular Design



Realistic Textures

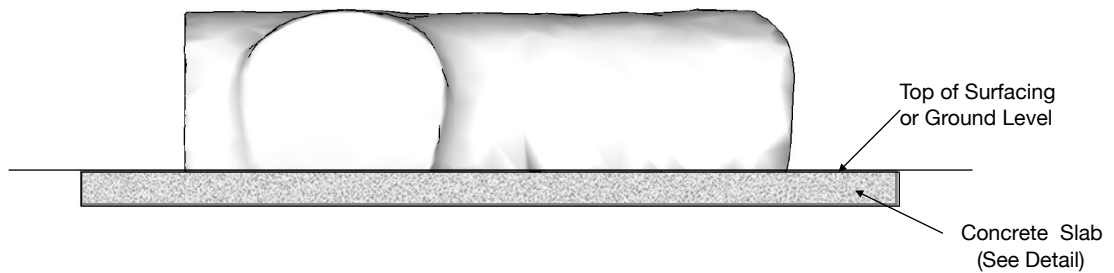
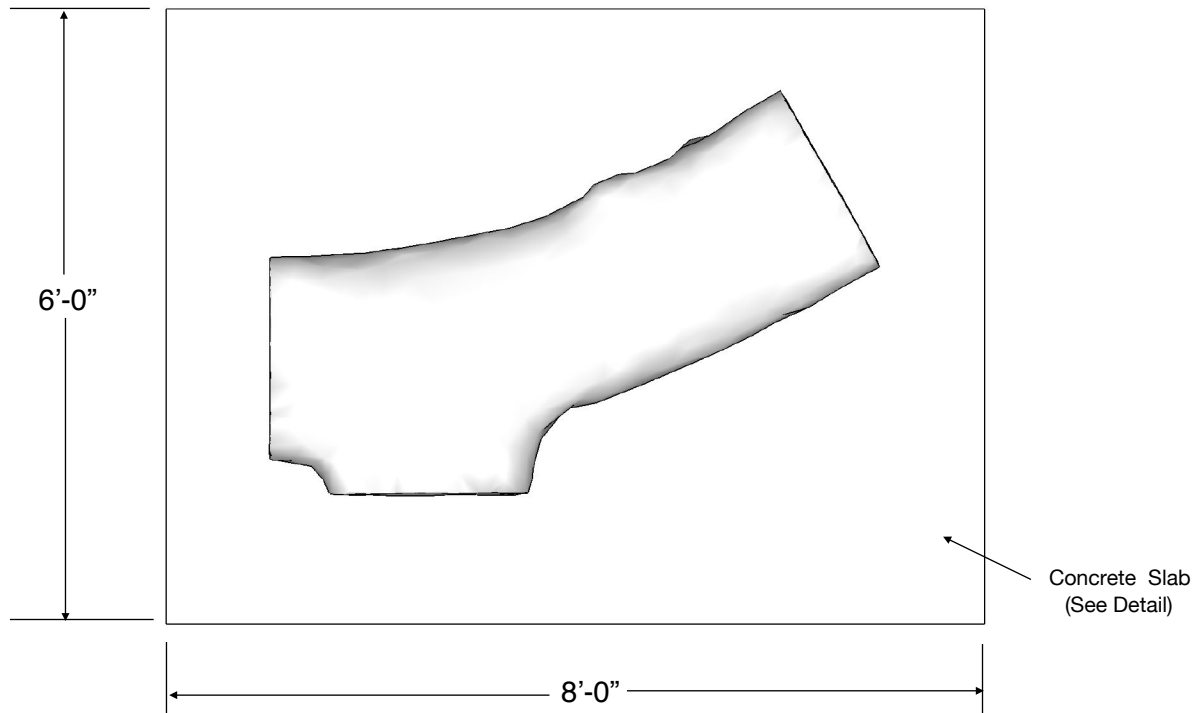
~ Dimensions and weights are approximate ~
~ Heights shown from top of surfacing ~

Installation Instructions



~ All dimensions are approximate ~

Installation Instructions



Included Items:

Item	Description	Quantity
Fallen Tree Bench	Site Amenity	1
Anchor Bolt 1/2" x 3"	Mounting Hardware	4

~ All dimensions are approximate ~

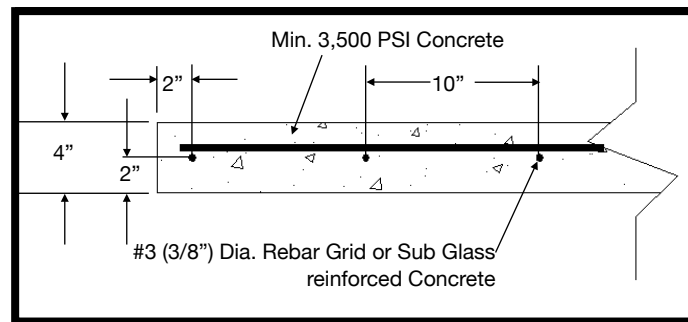
Installation Instructions

NOTE: Read installation instructions thoroughly before starting installation process.

Step 1: Lay out the area and prepare the site for install. Concrete must be installed over a solid, level base. Check local soil condition and codes.

Step 2: Pour a concrete slab for the Fallen Tree Bench. Refer to the typical slab detail on this page. The concrete should be flush with the surface. Allow time for the concrete to completely cure before continuing.

Step 3: Place Fallen Tree Bench into final installation location. To anchor your product down to the slab, use the included hardware.



Typical 4" Concrete Slab Section

Check local soil conditions.

(Not to Scale)

NOTES PRIOR TO CONSTRUCTION:

- Use appropriate equipment to lift and move the site amenity.
- Check local codes and requirements prior to digging or installing any equipment.

~ All dimensions are approximate ~

Installation Instructions

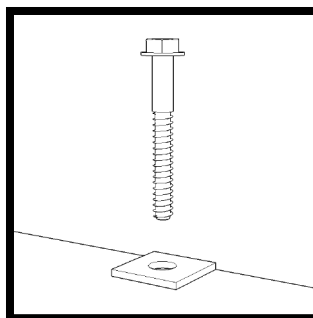
Step 4: Locate your anchor bolts, supplied by Cre8Play. Using the proper standard drill bit size noted in the installation table, drill the concrete to the appropriate hole depth (C).

Step 5: Insert the anchor bolt into the hole and tighten until the bolt is fully seated. Do NOT over tighten the anchor bolts.

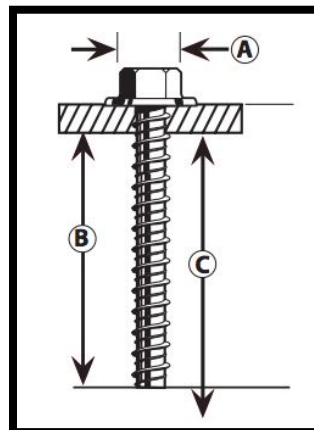
Installation Table

Anchor Bolt Size	ANSI Standard Drill Bit Diameter	Anchor Head (Socket Size) Diameter (A)	Minimum Embedment (B)	Hole Depth (C)
1/2" x 3"	7/16"	3/4"	2 1/2"	3 1/2"

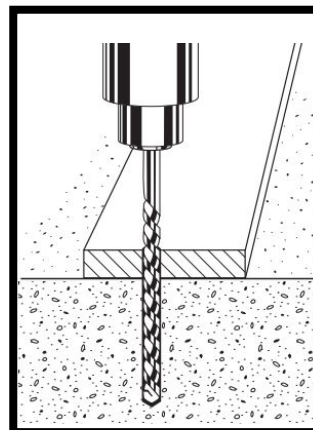
Anchor Bolt (Large Diameter Tapcon) Installation:



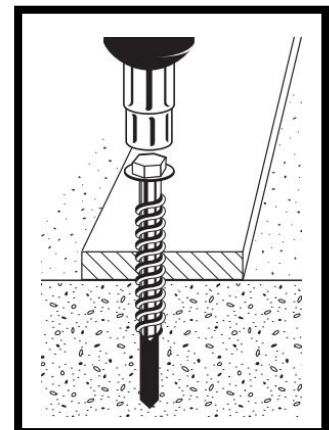
Mounting Detail
(Not to Scale)



Step 1: Drill



Step 2: Anchor



NOTE: Always wear eye protection appropriate to the task at hand.

~ All dimensions are approximate ~