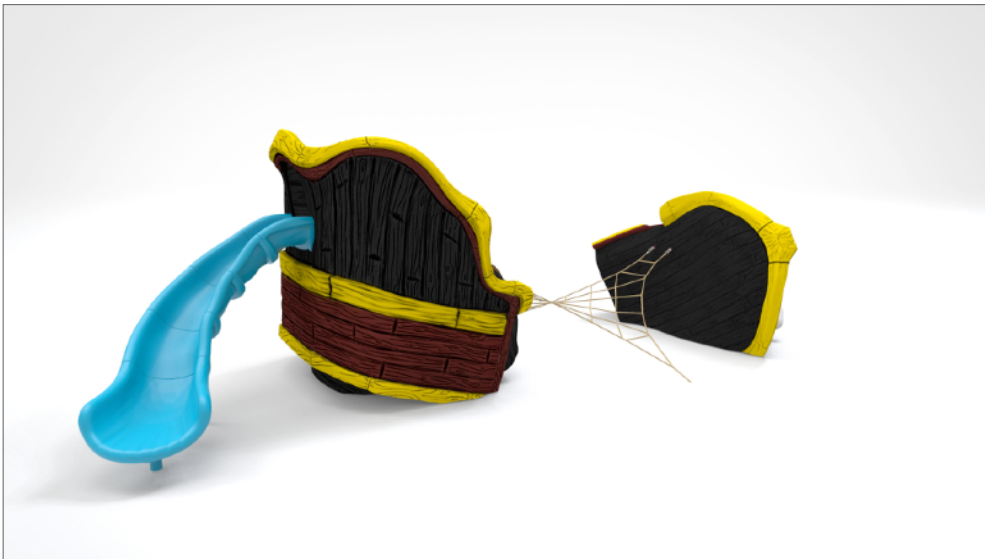
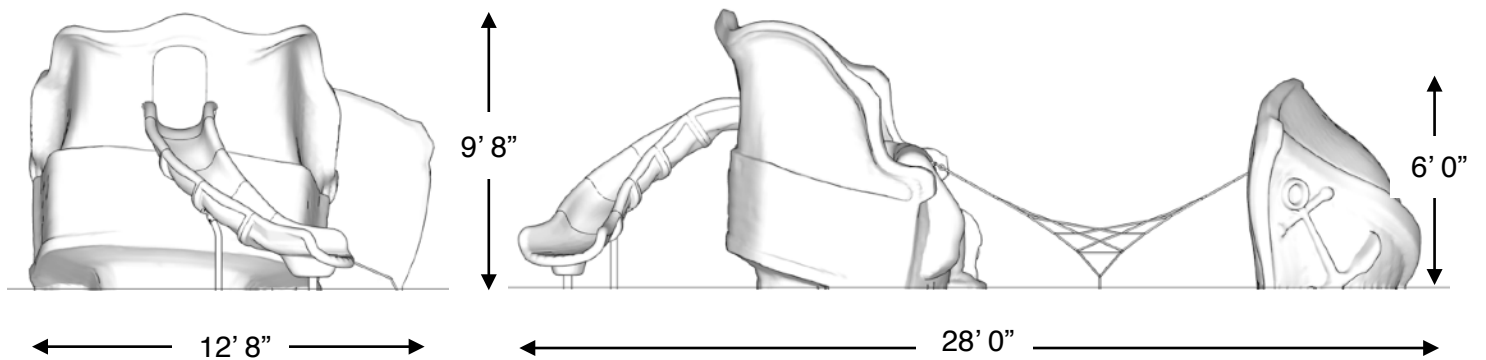
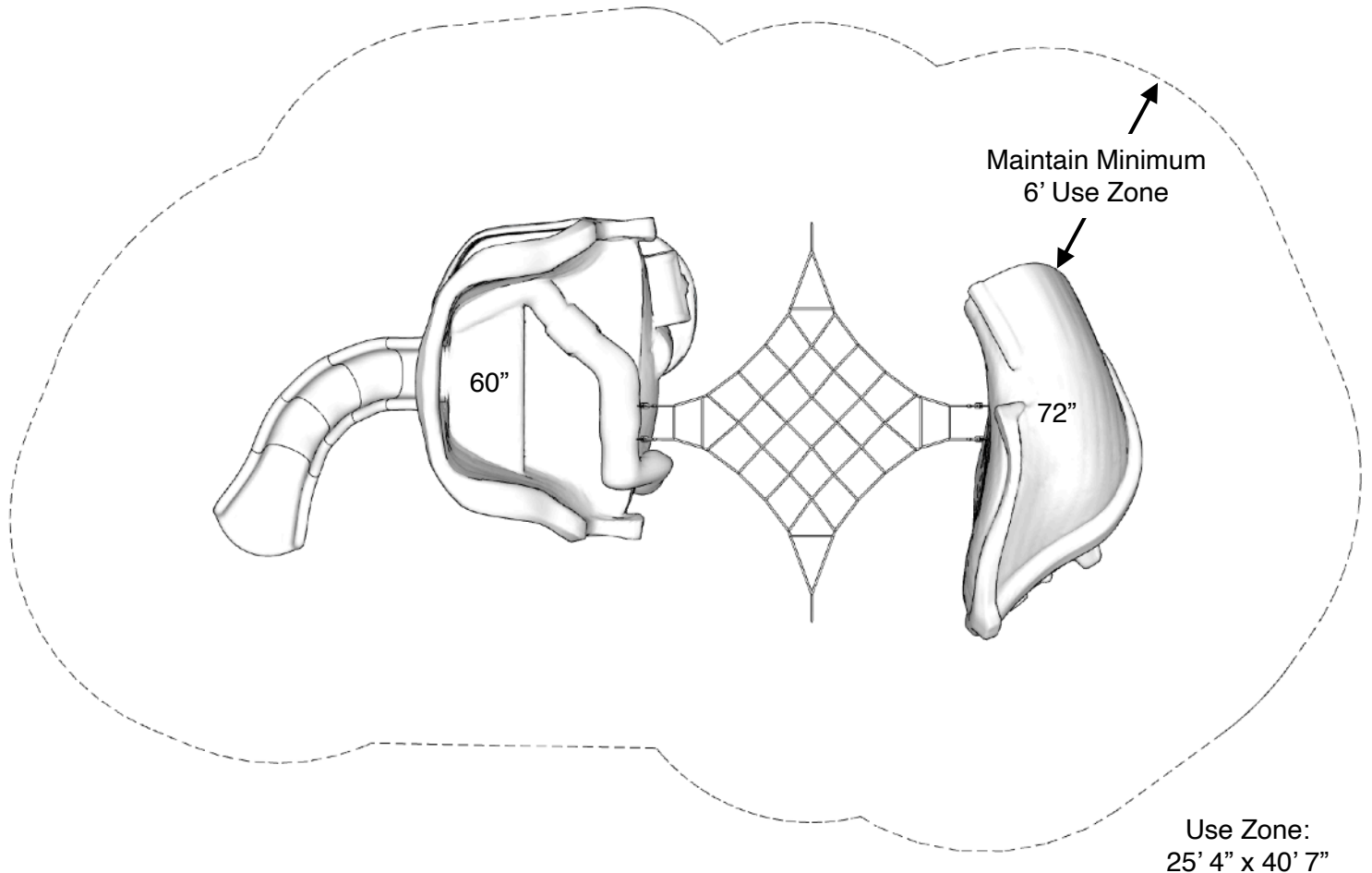


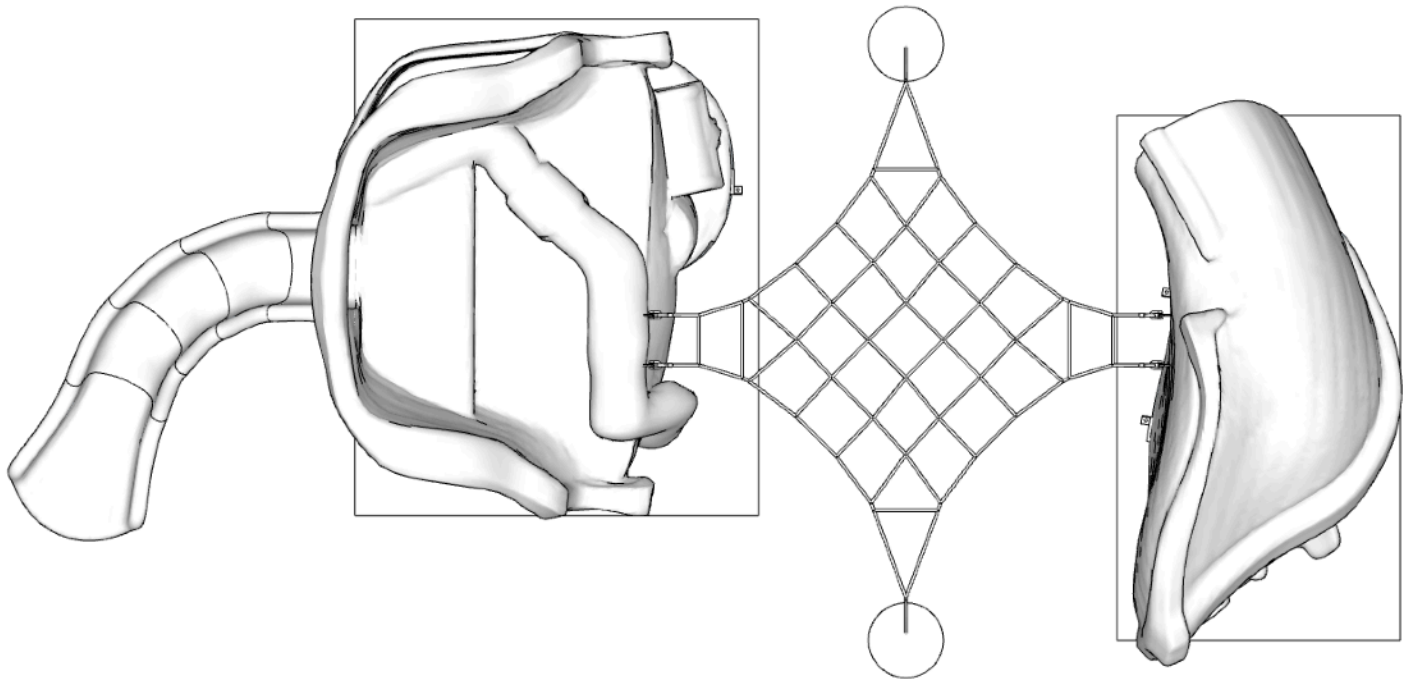
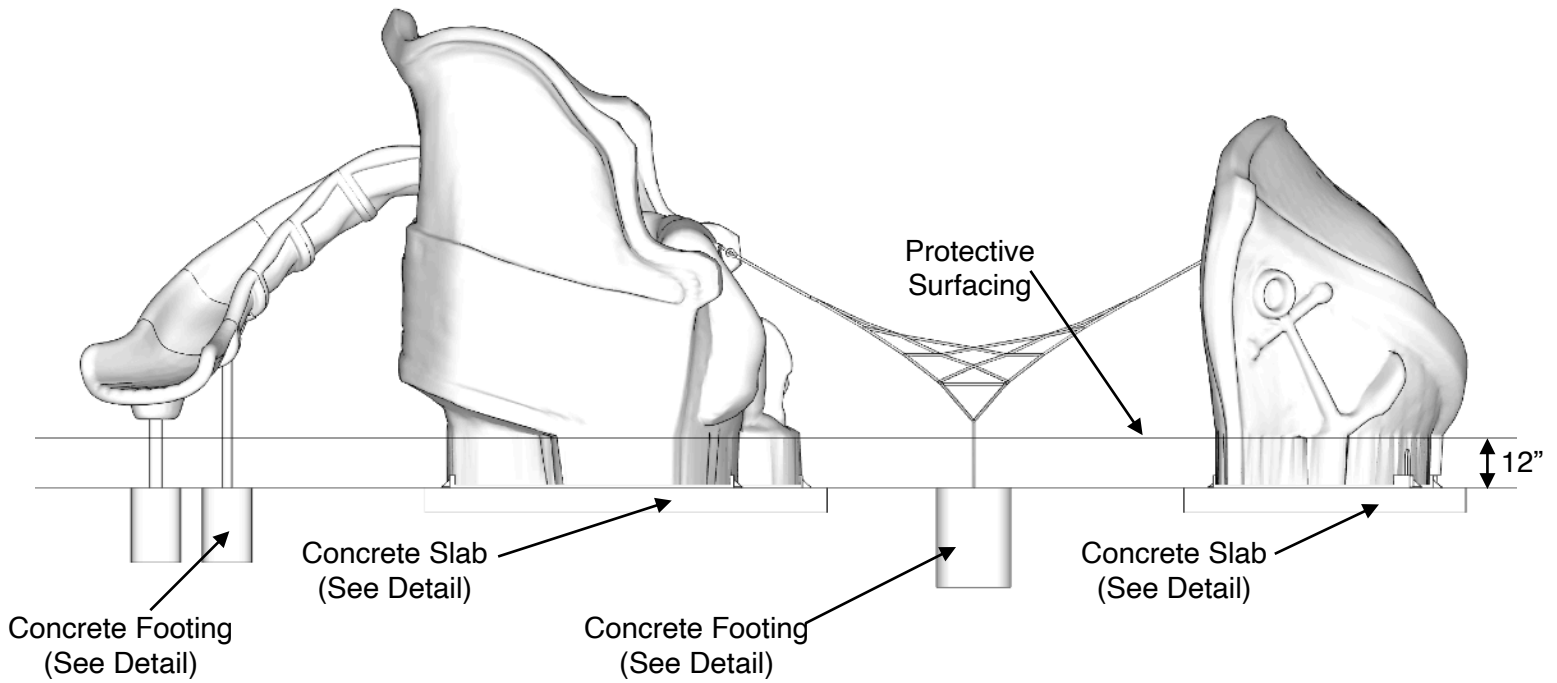


A fun pirate ship themed climber with varying degrees of climbing difficulties. Constructed of durable Glass Fiber Reinforced Concrete (GFRC). The unique design allows for 360 degrees of climbing, integrated handholds, realistic texture.

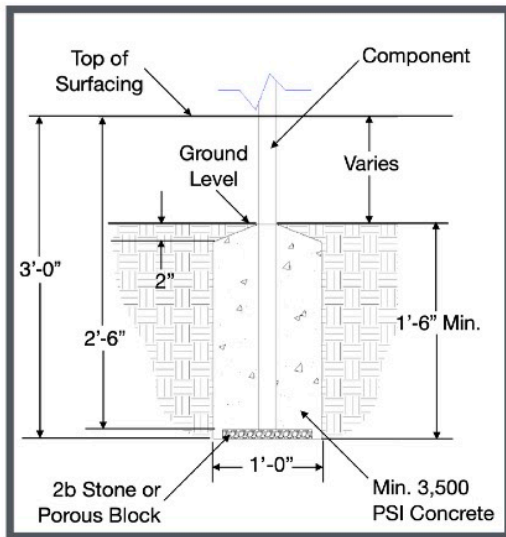
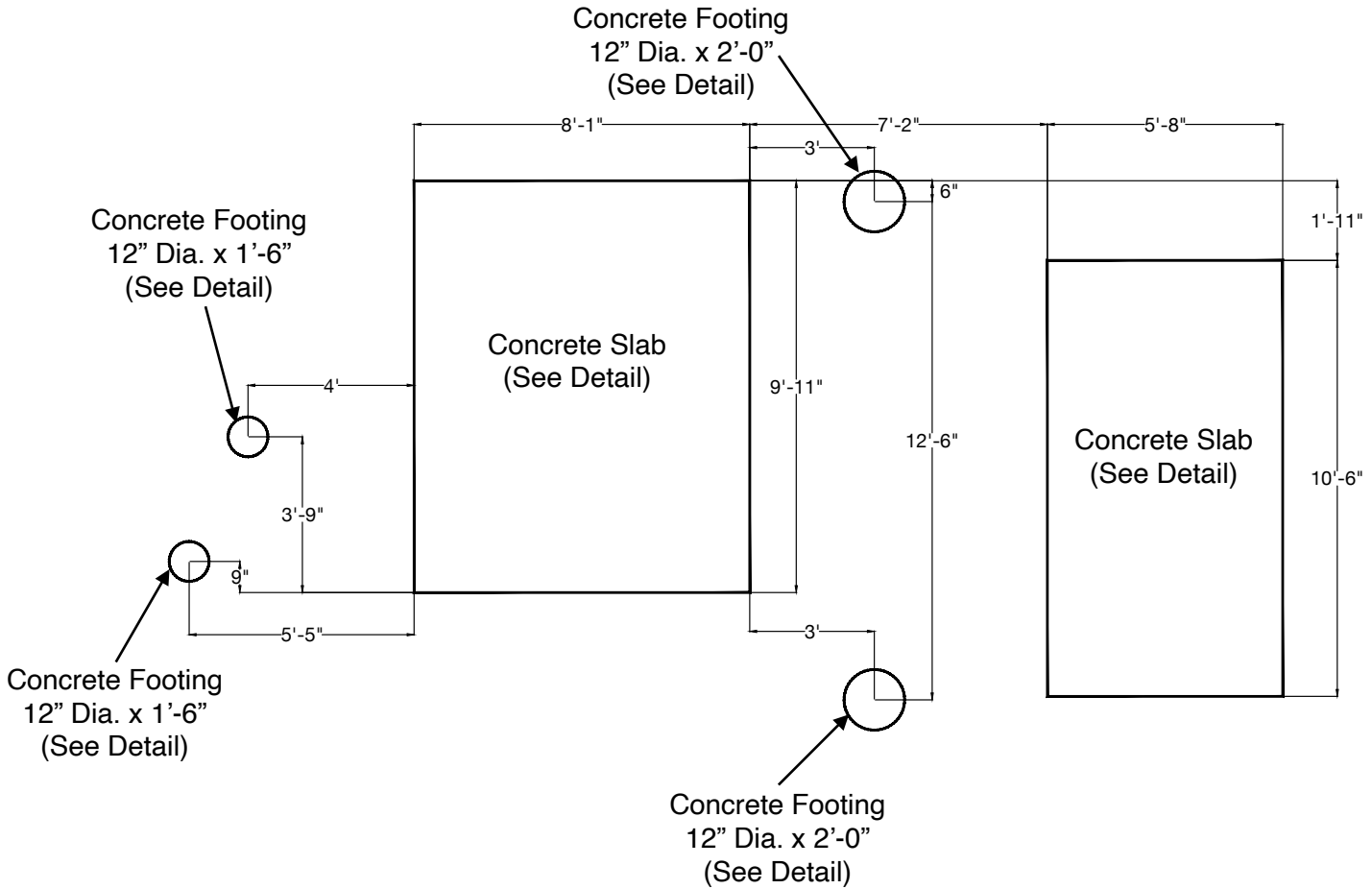


L: 28' 0"  
W: 12' 8"  
H: 9' 8"  
11,500 LBS

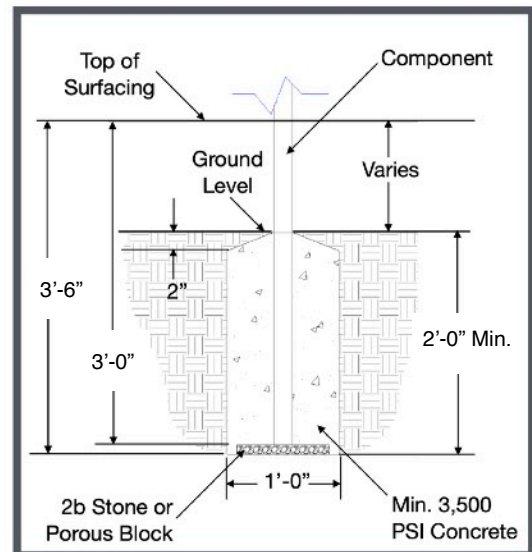




If you determine that less than 12" of surfacing is required, make sure the top of the concrete slab is 12" below the top of the protective surfacing.



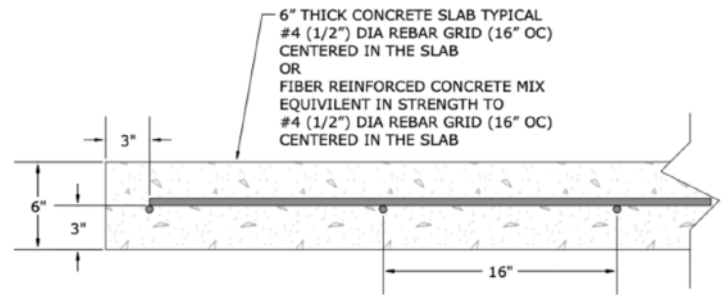
**Typical Component Footing Detail**  
Check local soil conditions.  
(Not to Scale)



**Typical Component Footing Detail**  
Check local soil conditions.  
(Not to Scale)

### NOTES PRIOR TO CONSTRUCTION:

- Use appropriate equipment to lift and move the play equipment.
- Check local codes and requirements prior to digging or installing any equipment.



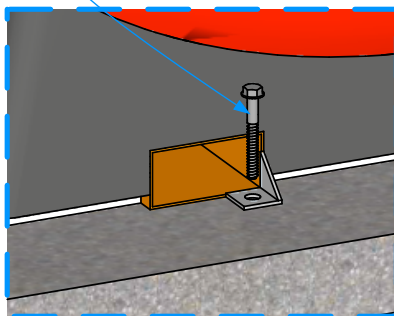
TYPICAL 6" CONCRETE SLAB DETAIL (NOT TO SCALE)  
CHECK LOCAL SOIL CONDITIONS.



EXAMPLE OF COMPONENT



ANCHOR BOLT  
SEE CHART



**NOTE: Read installation instructions thoroughly before starting installation process.**

**Step 1:** Lay out the area and prepare the site for install. Concrete must be installed over a solid, level base. Check local soil condition and codes. See product installation instructions for minimum use zone requirements to ensure proper spacing and adequate surfacing area.

**Step 2:** Pour a concrete slabs for the components. Refer to the typical concrete slab section in this document. The concrete should be flush with the ground level. Allow time for the concrete to completely cure before continuing.

**Step 3:** Using an appropriate lull-type forklift or boom, place the components on the concrete slabs. Leave 10' 2" in-between the net climber steel tabs (see image on page 7).

**Step 4:** Refer to the typical in-ground footing detail on excavating the holes for the components.

**Step 5:** Assemble the slide sections per manufacturers instructions. Bolt the slide to the component using hardware #8-01 (4 places).

**Step 6:** Unfurl net climber and be sure that the net fits taut between the components. Attach the two net ends to each concrete component using hardware kit #8-02 (4 places). Attach the net climber in-ground posts to the two net ends using hardware kit #8-02 (2 places). Insert the rebar into the post. Pull the net taught and temporarily brace the net climber in-ground posts in place,

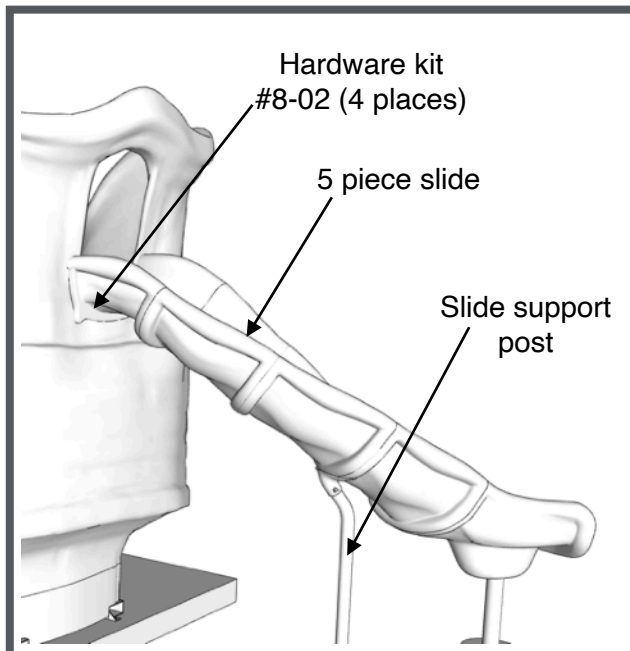
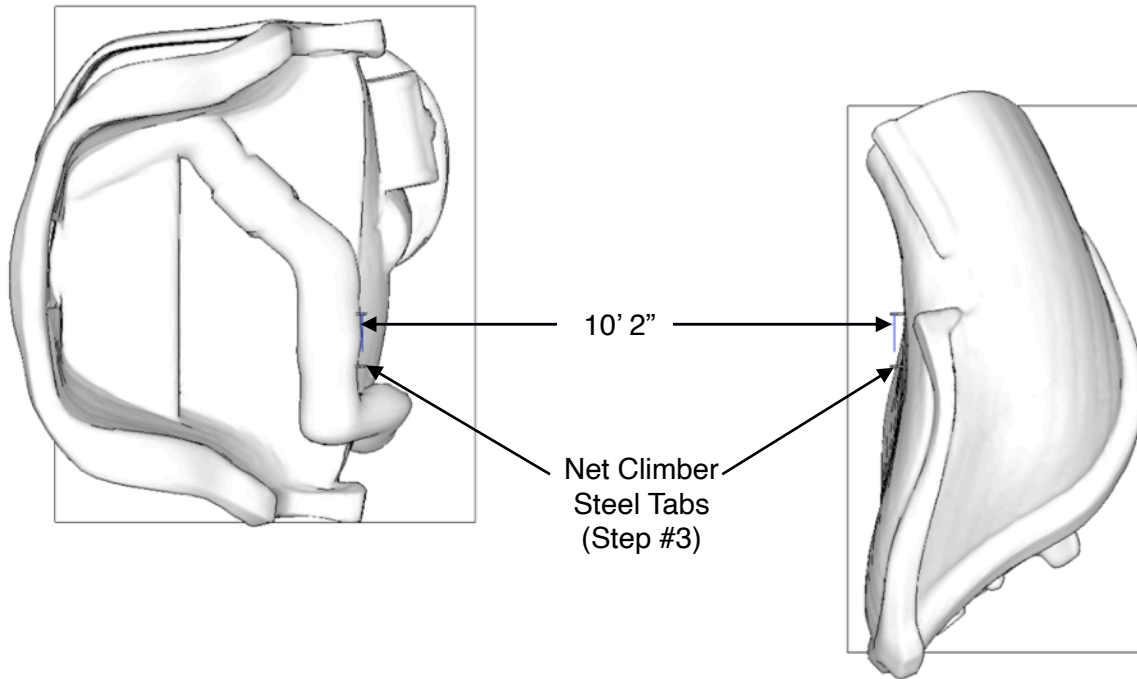
**Step 7:** Pour your concrete per footing detail. Allow time for the concrete to completely cure before removing temporary bracing. See the hardware recommendation for information on anchoring equipment down to your concrete slab. Refer to the surfacing manufacturer for installation of an approved impact attenuating play surface around the component with a minimum use zone in every direction.

**Step 8:** Locate your anchor bolts, supplied. Using the proper standard drill bit size noted in the installation table, drill the concrete to the appropriate hole depth through the mounting holes.

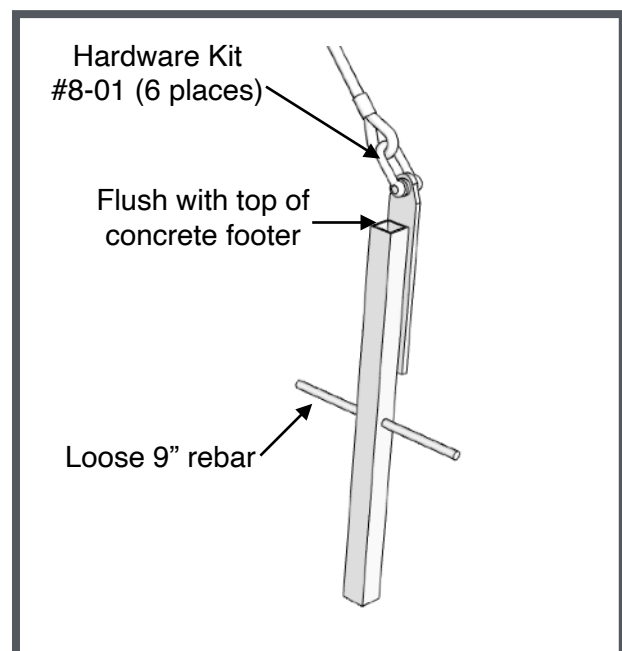
**Step 9:** Insert the anchor bolt into the hole and tighten until the bolt is fully seated. Do NOT over tighten the anchor bolts.

**Included Items:**

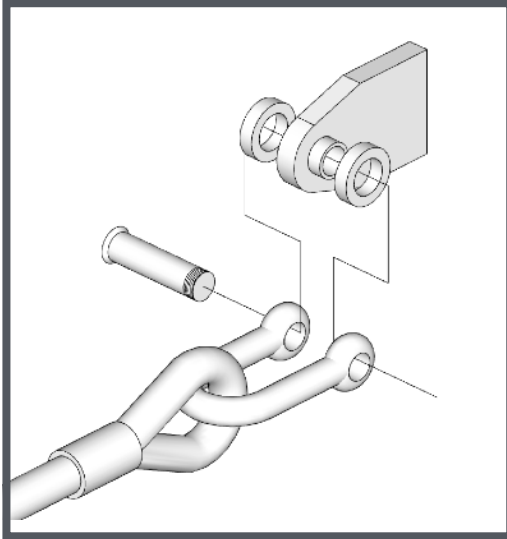
Item	Description	Quantity
Shipwreck Climber	Play Equipment	2
Net Climber	Play Equipment	1
Slide (5 pcs)	Play Equipment	1
Slide Support	Play Equipment	1
Hardware kit #8-01	Hardware	1
Hardware kit #8-02	Hardware	1
Anchor Bolt 5/8" x 4"	Mounting Hardware	8



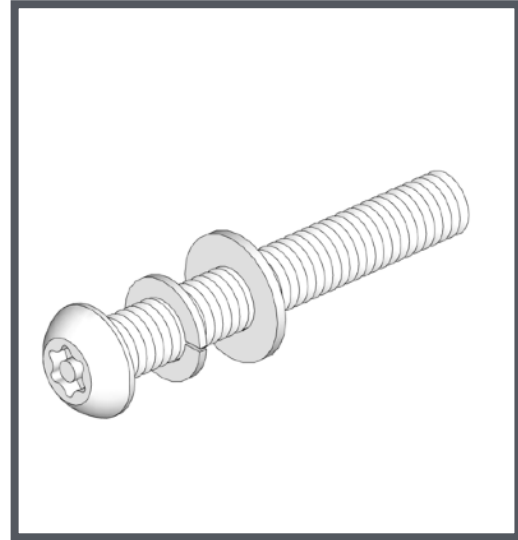
Slide installation  
(Step #5)



Net climber in-ground posts  
(Step #6)



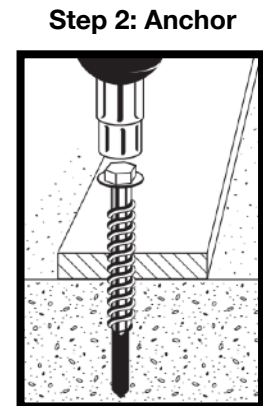
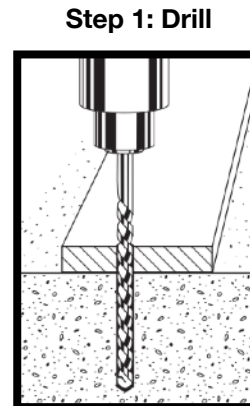
**Hardware Kit #8-01**  
 Bronze Bushing 6  
 Nylon Spacer 6  
 (Not to Scale)



**Hardware Kit #8-02**  
 3/8" x 2-1/2" Button Head Bolt 4  
 3/8" Lock Washer 4  
 3/8" Flat Washer 4

**Anchor Bolt Installation:**

Anchor Bolt Size	ANSI Standard Drill Bit Diameter	Anchor Head (Socket Size)	Minimum Embedment	Hole Depth
1/2" x 3"	7/16"	3/4"	2 1/2"	3 1/2"
5/8" x 4"	1/2"	13/16"	3 1/2"	4 1/2"
5/8" x 6"	1/2"	13/16"	5 1/2"	6 1/2"



**NOTE: Always wear eye protection appropriate to the task at hand.**