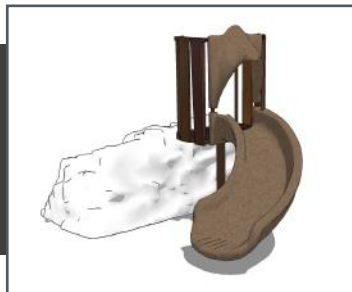


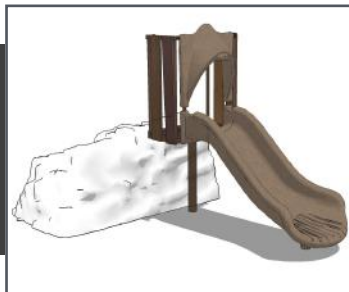


About the only way to make the Switchback Rock Climber cooler is by attaching a slide. As young explorers reach the peak of the popular rock climber they will be rewarded with a quick slide to base camp again! Different styles and configurations available.



36" 90 Degree Slide
200052

L: 5'-11" x W: 5'-6" x H: 6'-8"
240 LBS



36" Straight Slide
200053

L: 8'-6" x W: 3'-0" x H: 6'-8"
242 LBS



Durable, one-piece Slides



Composite wood provides the look and feel of a handmade creation

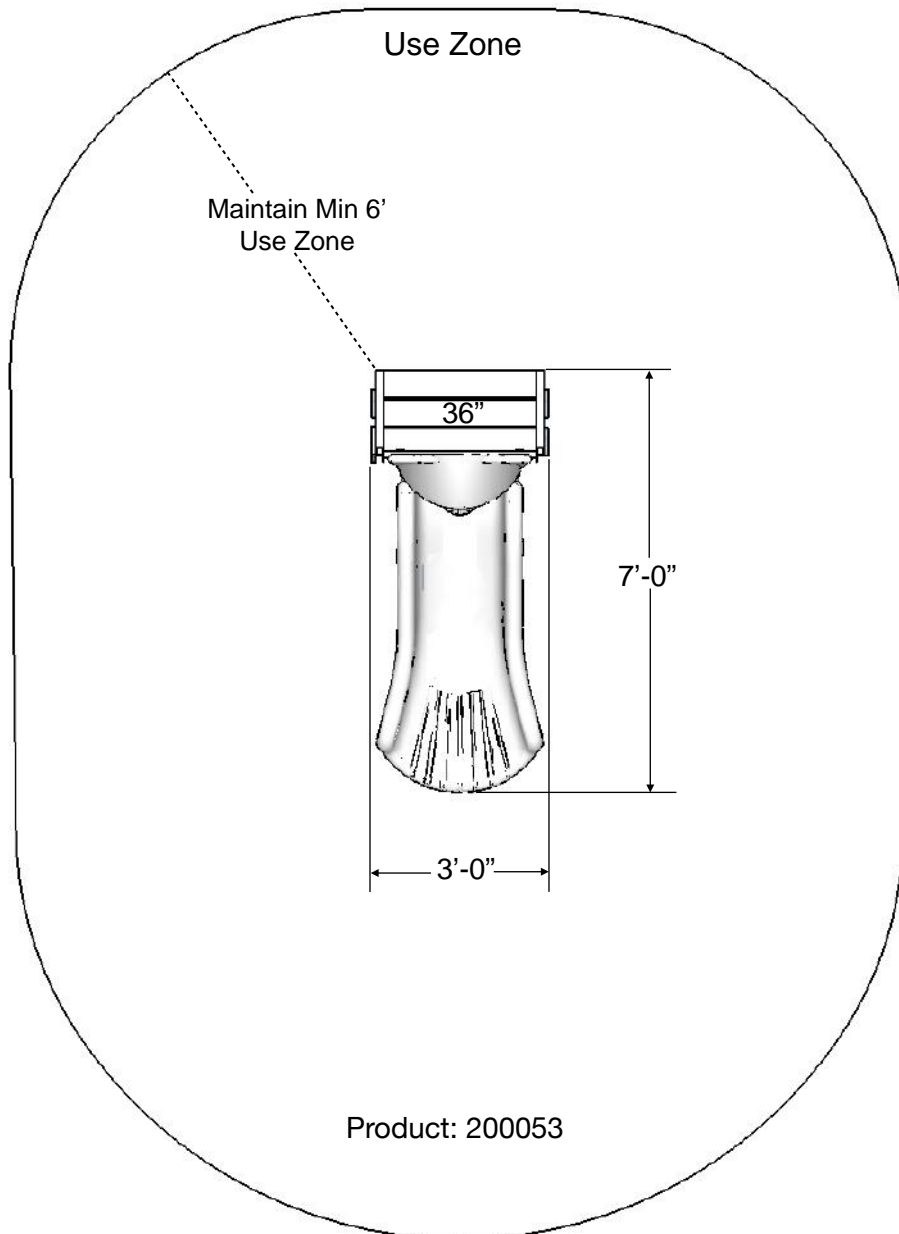
*~ Dimensions and weights are approximate ~
~ Heights shown from top of surfacing ~
User Group Age: 2-12*

All images and concepts are Copyright © 2016, Cre8Play, LLC-All rights reserved. Cre8Play may change or modify this information as necessary and without notice.

Revised 4/29/16

5121 Winnetka Ave N • Suite 108
New Hope, MN 55428
612.670.8195
info@cre8play.com
cre8play.com

Installation Instructions



Included Items:

Item	Description	Quantity
Switchback Slide	Play Equipment	1
Slide Hardware	Hardware	1 set
Anchor Bolt 5/8" x 6"	Mounting Hardware	2

Installation Instructions

NOTE: Read installation instructions thoroughly before starting installation process.

Step 1: Lay out the area and prepare the site for install. Concrete must be installed over a solid, level base. Check local soil condition and codes. See Switchback Rock Climber installation instructions for minimum use zone requirements to ensure proper spacing and adequate surfacing area.

Step 2: Pour a concrete base for the Switchback Rock Climber. Refer to the typical slab section on the typical footing page of the Switchback Rock Climber installation instructions. The concrete should be flush with the ground level. Allow time for the concrete to completely cure before continuing.

Step 3: Using an appropriate lull-type forklift or boom, place Switchback Rock Climber with Slide Attachment into final installation location. See the hardware recommendation page for information on anchoring equipment down to your slab. Refer to the surfacing manufacturer for installation of an approved impact attenuating play surface around the Switchback Rock Climber with a minimum of 6 feet in every direction.

Step 4: Attach the slide deck enclosure to the Switchback Rock Climber using hardware kit 8-01 (4 places).

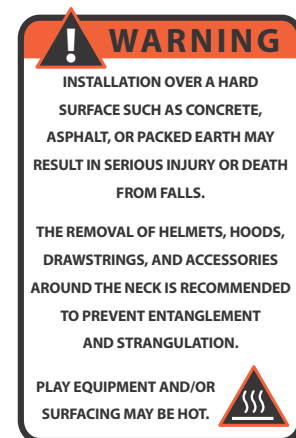
Step 5: Assemble the slide and prepare footing holes per the slide manufacturer's instructions.

Step 6: Attach the slide to the slide deck enclosure using hardware kit 8-02 (2 places) and hardware kit 8-03 (4 places).

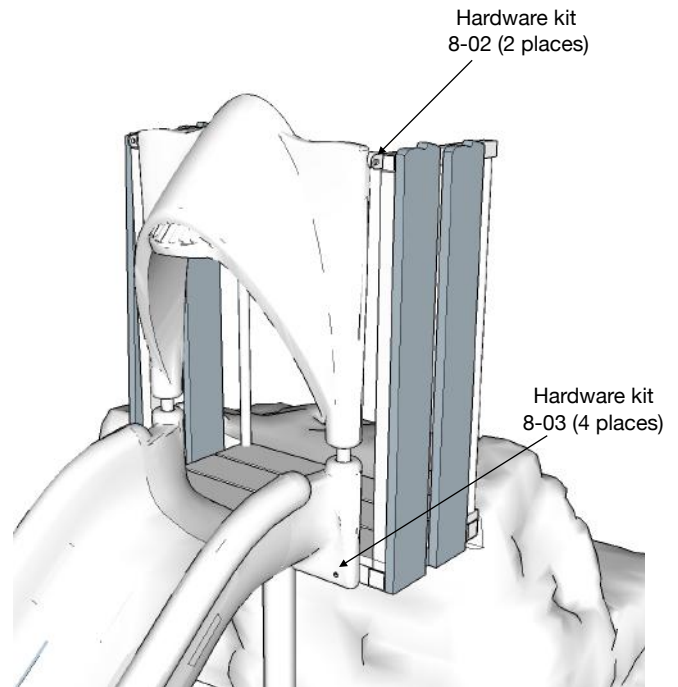
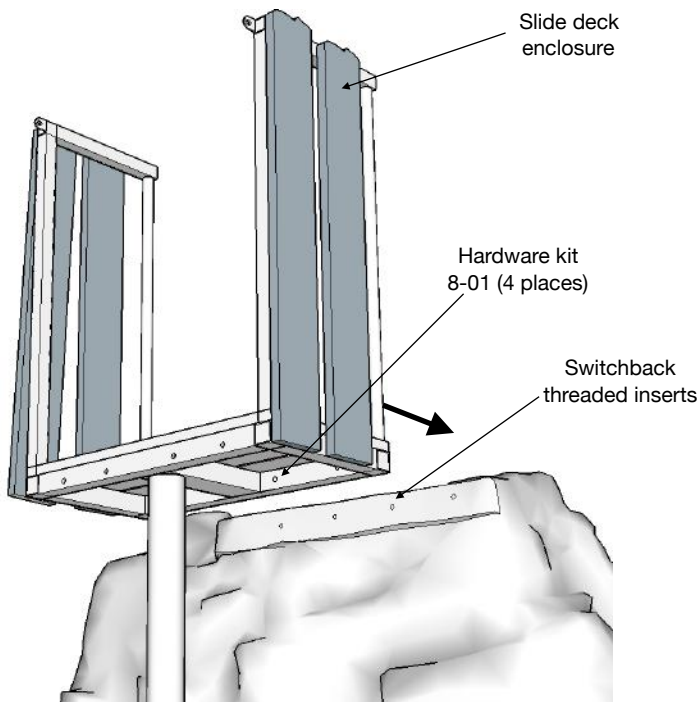
Step 7: Pour the concrete footers for the slide supports, per the slide manufacturer's instructions.

NOTES PRIOR TO CONSTRUCTION:

- Use appropriate equipment to lift and move the play equipment.
- Check local codes and requirements prior to digging or installing any equipment.



Installation Instructions



Step 4: Attach the slide deck enclosure to the Switchback Rock Climber using hardware kit 8-01 (4 places).

Step 6: Attach the slide to the slide deck enclosure using Hardware kits 8-02 & 8-03.

HARDWARE KIT 8-01

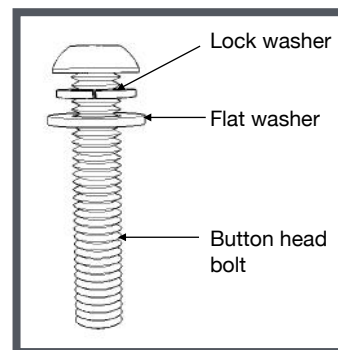
3/8" X 3" BUTTON HEAD, PIN-IN, SS BOLT	X4
3/8" FLAT WASHER, SS	X4
3/8" SPLIT LOCK WASHER, SS	X4

HARDWARE KIT 8-02

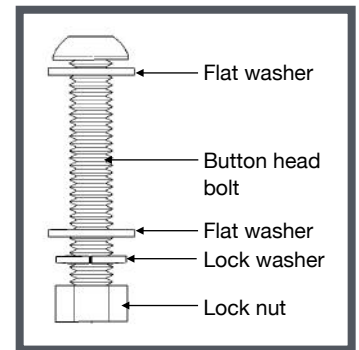
3/8" X 1-1/4" BUTTON HEAD, PIN-IN, SS BOLT	X4
3/8" FLAT WASHER, SS	X4
3/8" SPLIT LOCK WASHER, SS	X4

HARDWARE KIT 8-03

3/8" X 4 1/2" BUTTON HEAD, PIN-IN, SS BOLT	X4
3/8" LARGE FLAT WASHER (1" OD), SS	X8
3/8" SPLIT LOCK WASHER, SS	X4
3/8" NYLOCK LOCK NUT, SS	X4



Button head bolt, lock washer and flat washer



Button head bolt, lock washer, flat washers and lock nut

~ All dimensions are approximate ~

User Group Age: 2-12

Last Revised 4/25/16

Installation Instructions

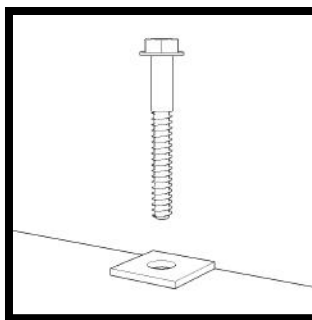
Step 8: Locate your anchor bolts, supplied by Cre8Play. Using the proper standard drill bit size noted in the installation table, drill the concrete to the appropriate hole depth (C).

Step 9: Insert the anchor bolt into the hole and tighten until the bolt is fully seated. Do NOT over tighten the anchor bolts.

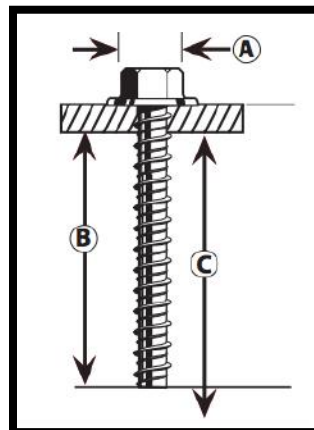
Installation Table

Anchor Bolt Size	ANSI Standard Drill Bit Diameter	Anchor Head (Socket Size) Diameter Ⓐ	Minimum Embedment Ⓑ	Hole Depth Ⓒ
5/8" x 6"	1/2"	13/16"	5 1/2"	6 1/2"

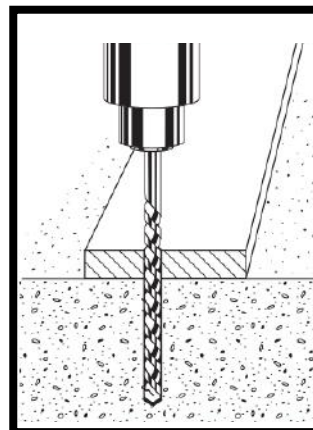
Anchor Bolt (Large Diameter Tapcon) Installation:



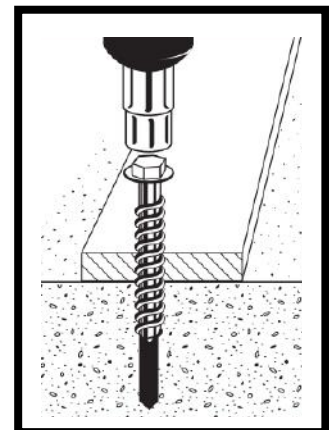
Mounting Detail
(Not to Scale)



Step 1: Drill



Step 2: Anchor



NOTE: Always wear eye protection appropriate to the task at hand.