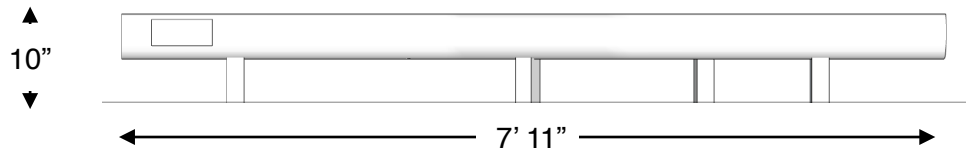
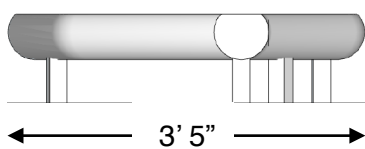
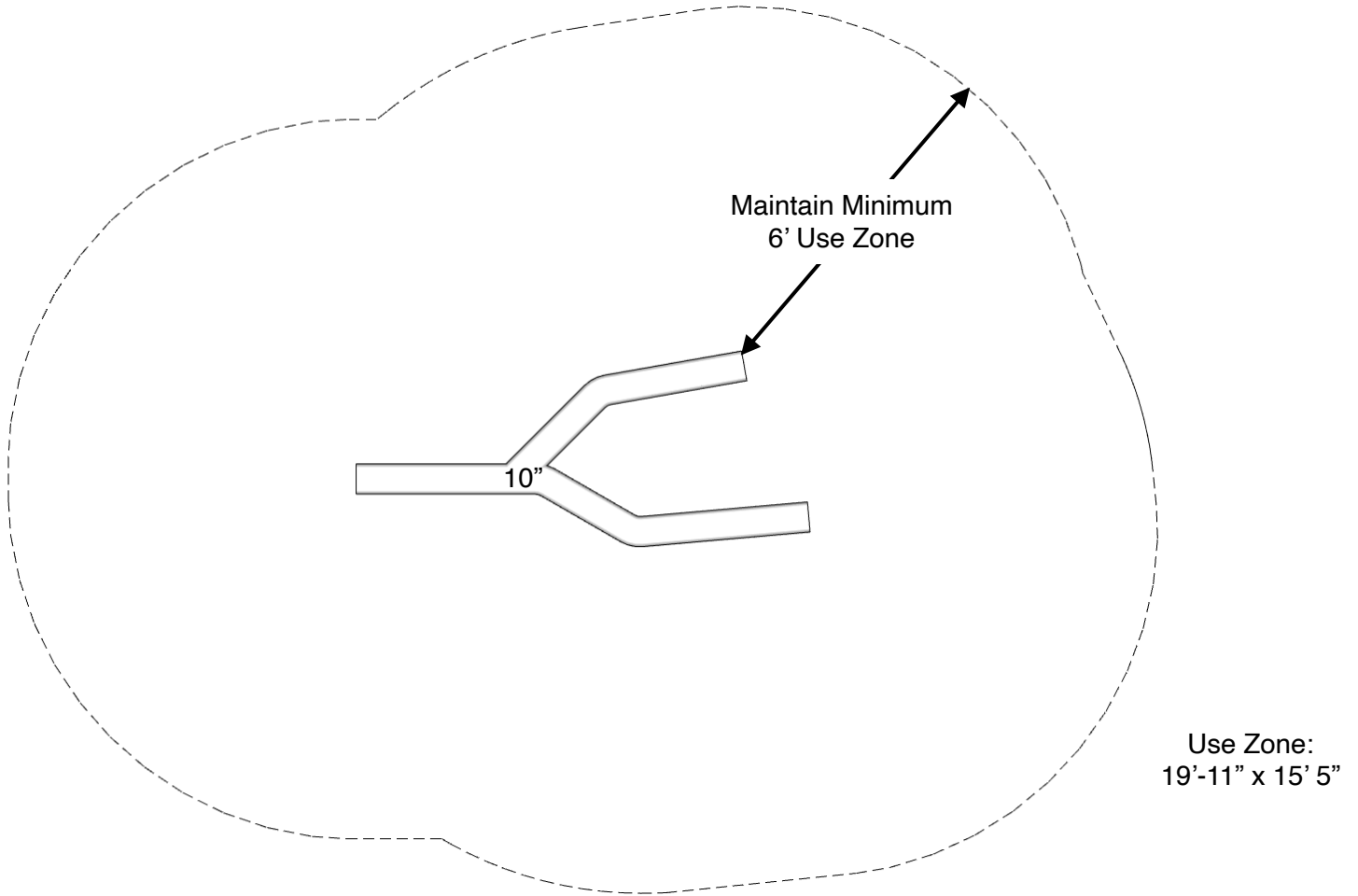


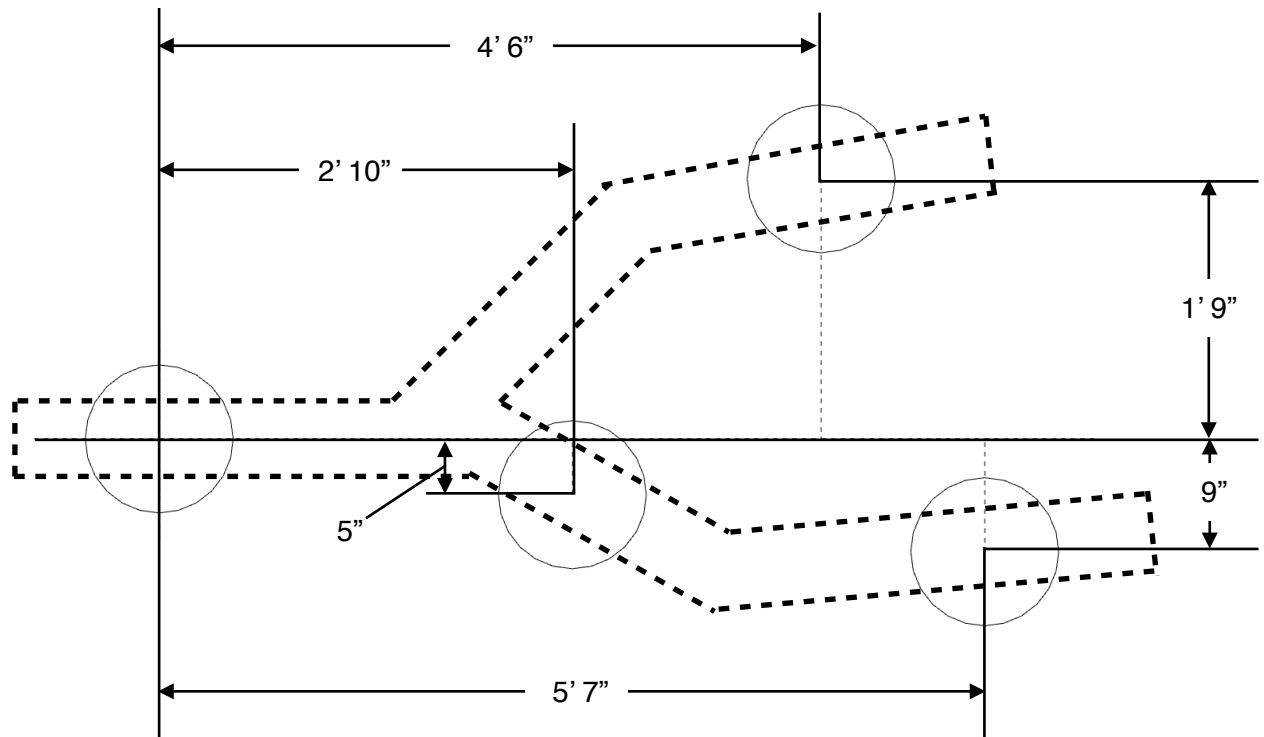
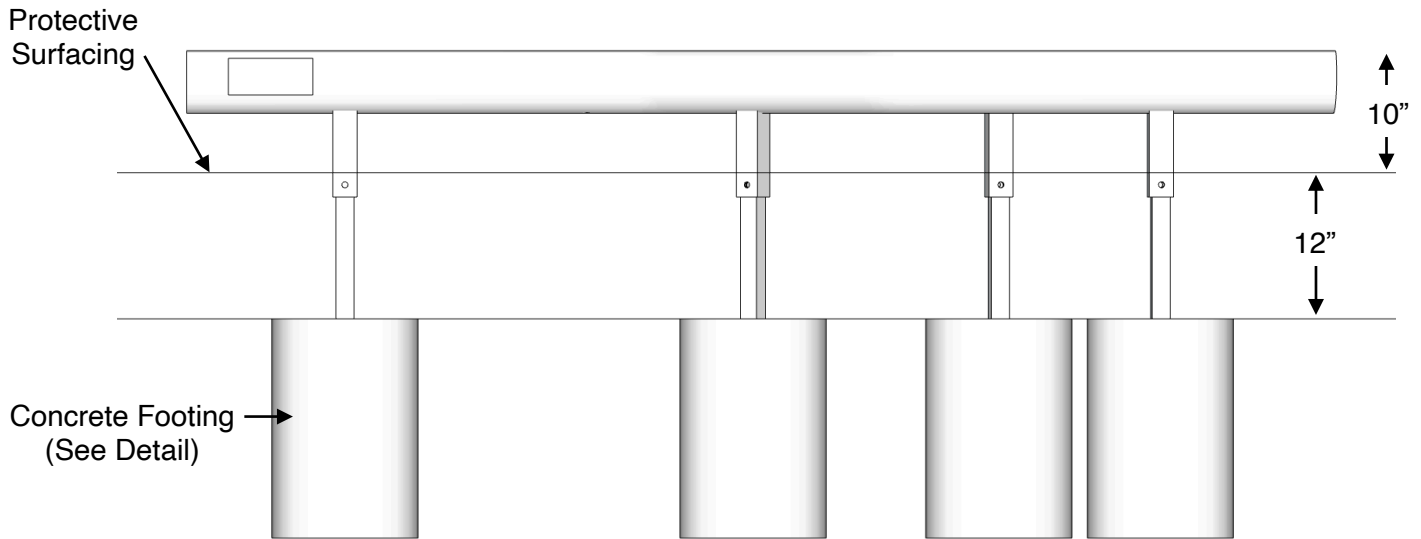


A naturally fallen tree makes for a very unique balance beam. Constructed of durable Glass Fiber Reinforced Concrete (GFRC) to create a great look and feel. Challenges kids' balance and stability and provides fun.



L: 7' 11"
 W: 3' 5"
 H: 0' 10"
 450 LBS





NOTE: Read installation instructions thoroughly before starting installation process.

Step 1: Lay out the area and prepare the site for install. Concrete must be installed over a solid, level base. Check local soil condition and codes. See product installation instructions for minimum use zone requirements to ensure proper spacing and adequate surfacing area.

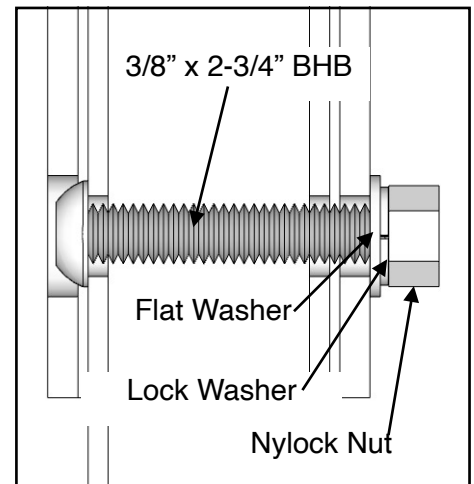
Step 2: Refer to the typical in-ground footing detail on excavating a hole for the Component.

Step 3: Bolt the 4 legs to the component using Hardware Kit #8-01 (x4). Place the component into the excavated footing, temporarily bracing when level and plumb. Pour a concrete footing. The concrete should be flush with the ground level, as shown in the typical in-ground footing detail. Allow time for the concrete to cure completely before continuing.

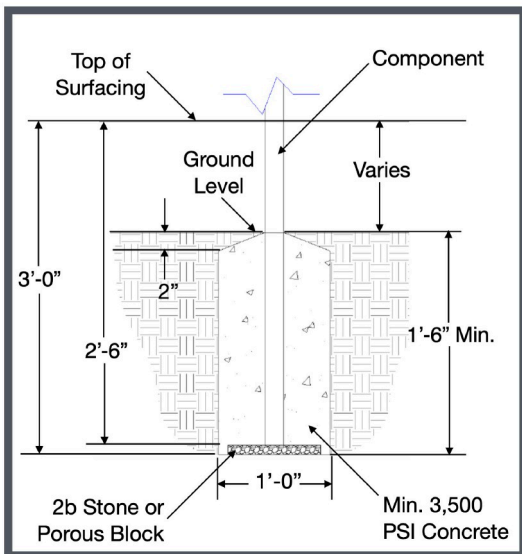
Step 4: Remove temporary bracing.

Included Items:

Item	Description	Quantity
Slingshot Balance Beam	Play Equipment	1
Balance Beam Legs	Play Equipment	4
3/8" x 2-3/4" Button Head Bolt, SS	Hardware Kit #8-01	4
3/8" Flat Washer, SS	Hardware Kit #8-01	4
3/8" Split Lock Washer, SS	Hardware Kit #8-01	4
3/8" Nylock Nut, SS	Hardware Kit #8-01	4



Hardware Kit #8-01



Typical Component Footing Detail
Check local soil conditions.
(Not to Scale)

! WARNING

INSTALLATION OVER A HARD SURFACE SUCH AS CONCRETE, ASPHALT, OR PACKED EARTH MAY RESULT IN SERIOUS INJURY OR DEATH FROM FALLS.

THE REMOVAL OF HELMETS, HOODS, DRAWSTRINGS, AND ACCESSORIES AROUND THE NECK IS RECOMMENDED TO PREVENT ENTANGLEMENT AND STRANGULATION.

PLAY EQUIPMENT AND/OR SURFACING MAY BE HOT.

NOTES PRIOR TO CONSTRUCTION:

- Use appropriate equipment to lift and move the play equipment.
- Check local codes and requirements prior to digging or installing any equipment.

NOTE: Always wear eye protection appropriate to the task at hand.